



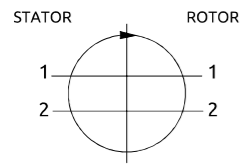
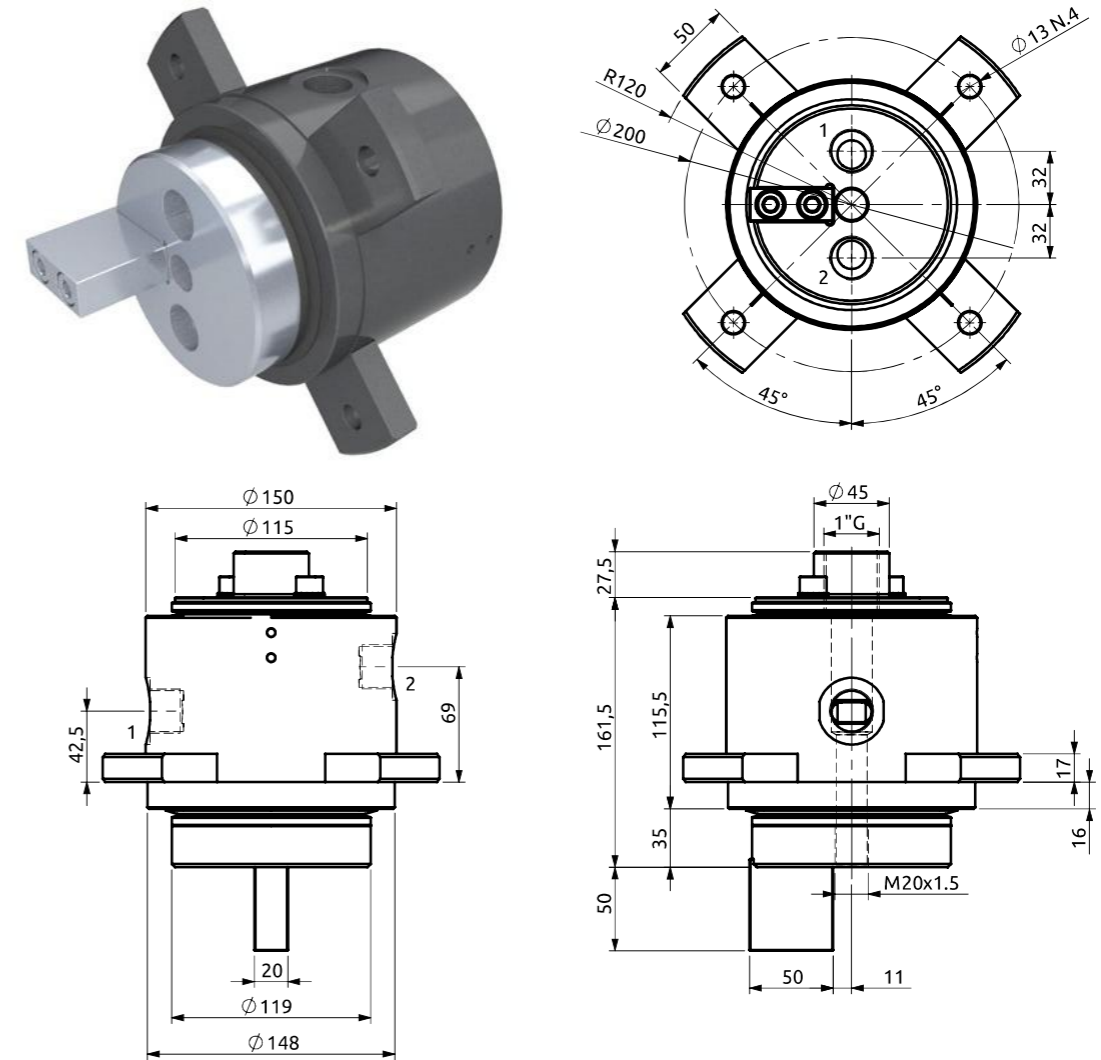
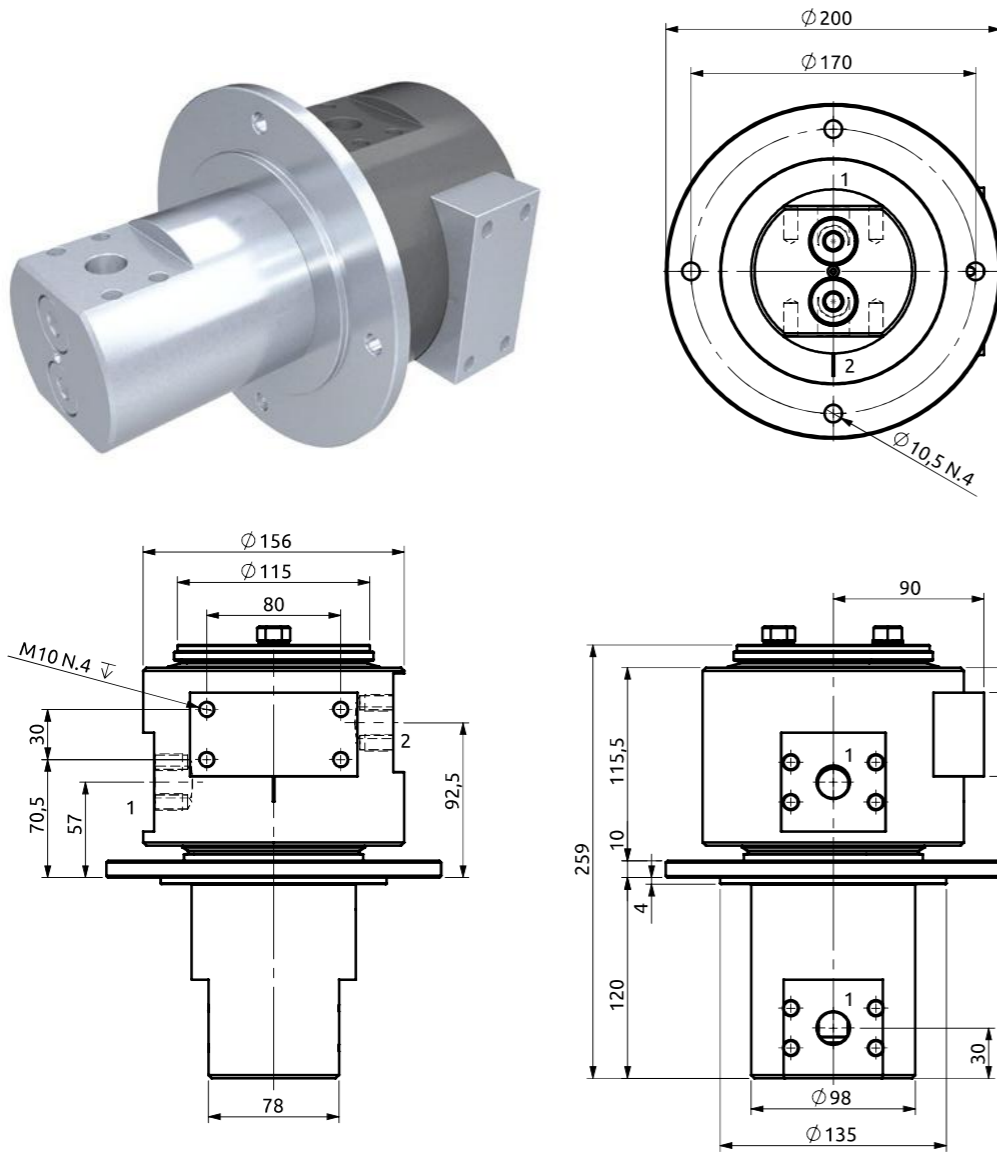
Distributore rotante 02 vie
Swivel joint 02 ways

Item code
D085020600

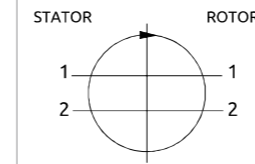


Distributore rotante 02 vie
Swivel joint 02 ways

Item code
D085020800



POS.	Statore Stator	Rotore Rotor	DN (mm)	Pressione max a 12RPM (bar) Max pressure at 12RPM (bar)	Fluido Fluid
1	3/4" SAE 6000	3/4" SAE 6000	18	420	Hydraulic Oil
2	3/4" SAE 6000	3/4" SAE 6000	18	420	Hydraulic Oil



POS.	Statore Stator	Rotore Rotor	DN (mm)	Pressione max a 12RPM (bar) Max pressure at 12RPM (bar)	Fluido Fluid
1	3/4" G	3/4" G	17	420	Hydraulic Oil
2	3/4" G	3/4" G	17	420	Hydraulic Oil