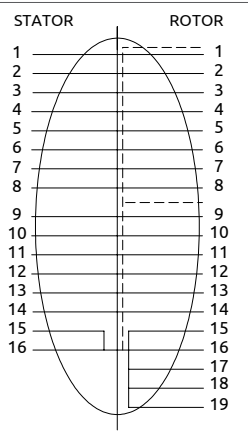
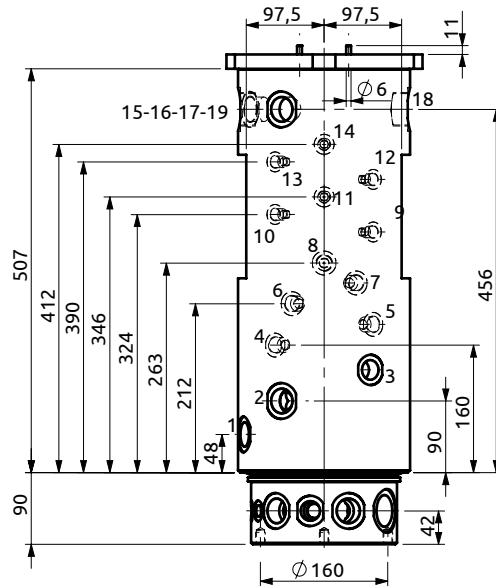
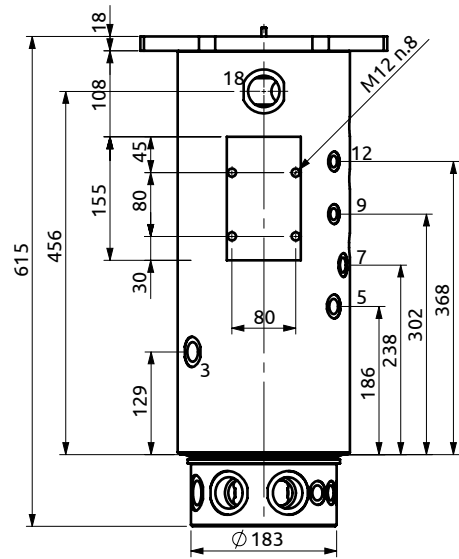
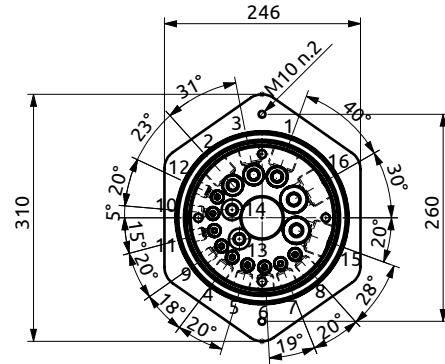




Distributore rotante 15 vie
Swivel joint 15 ways

Item code
D145150100

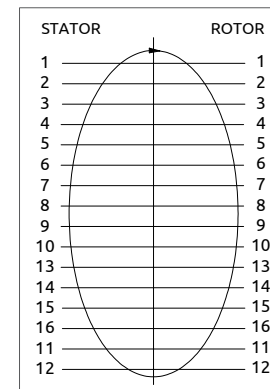
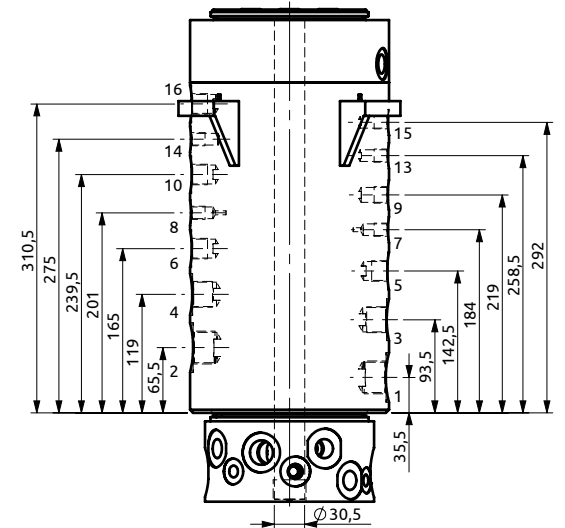
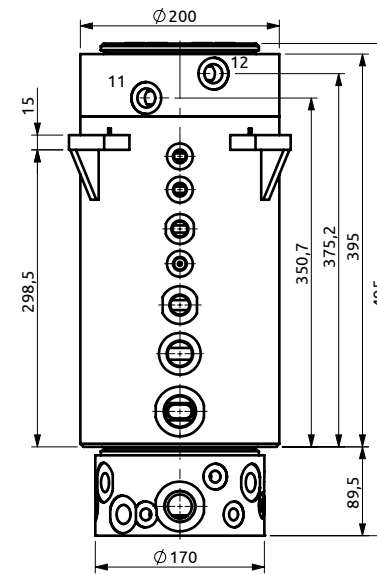
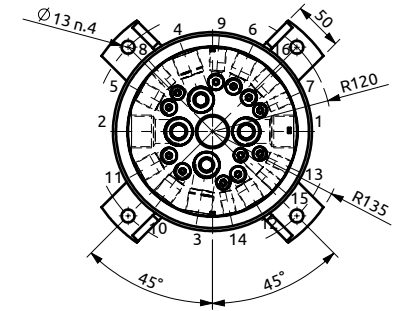


POS.	Statore Stator	Rotore Rotor	DN (mm)	Pressione max a 12RPM (bar) Max pressure at 12RPM (bar)	Fluido Fluid
1	1"G	1"G	22	320	Hydraulic oil
2	1"G	1"G	22	320	Hydraulic oil
3	3/4"G	3/4"G	18	320	Hydraulic oil
4	1/2"G	1/2"G	12	320	Hydraulic oil
5	1/2"G	1/2"G	12	320	Hydraulic oil
6	1/2"G	1/2"G	12	320	Hydraulic oil
7	1/2"G	1/2"G	12	320	Hydraulic oil
8	1/2"G	1/2"G	10	320	Hydraulic oil
9	M16x1.5	M16x1.5	10	15	Air
10	M16x1.5	M16x1.5	10	15	Air
11	M16x1.5	M16x1.5	10	15	Air
12	M16x1.5	M16x1.5	10	15	Air
13	M16x1.5	M16x1.5	10	15	Air
14	M16x1.5	M16x1.5	10	15	Air
15	1"1/4 G	1"1/4 G	32	10	Hydraulic oil
		1"G			
		1"G			
		1/2"G			



Distributore rotante 16 vie
Swivel joint 16 ways

Item code
D125160100



POS.	Statore Stator	Rotore Rotor	DN (mm)	Pressione max a 12RPM (bar) Max pressure at 12RPM (bar)	Fluido Fluid
1	1"G	1"G	25	300	Hydraulic Oil
2	1"G	1"G	25	300	Hydraulic Oil
3	3/4"G	3/4"G	19	300	Hydraulic Oil
4	3/4"G	3/4"G	19	300	Hydraulic Oil
5	1/2"G	1/2"G	12	300	Hydraulic Oil
6	1/2"G	1/2"G	12	300	Hydraulic Oil
7	1/4"G	1/4"G	6	300	Hydraulic Oil
8	1/4"G	1/4"G	6	300	Hydraulic Oil
9	3/8"G	3/8"G	10	300	Hydraulic Oil
10	1/2"G	1/2"G	12	300	Hydraulic Oil
13	1/4"G	1/4"G	6	300	Hydraulic Oil
14	1/4"G	1/4"G	6	300	Hydraulic Oil
15	1/4"G	1/4"G	6	300	Hydraulic Oil
16	1/2"G	1/2"G	12	300	Hydraulic Oil
11	1/2"G	1/2"G	12	50	Water
12	1/2"G	1/2"G	12	50	Water