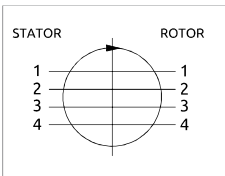
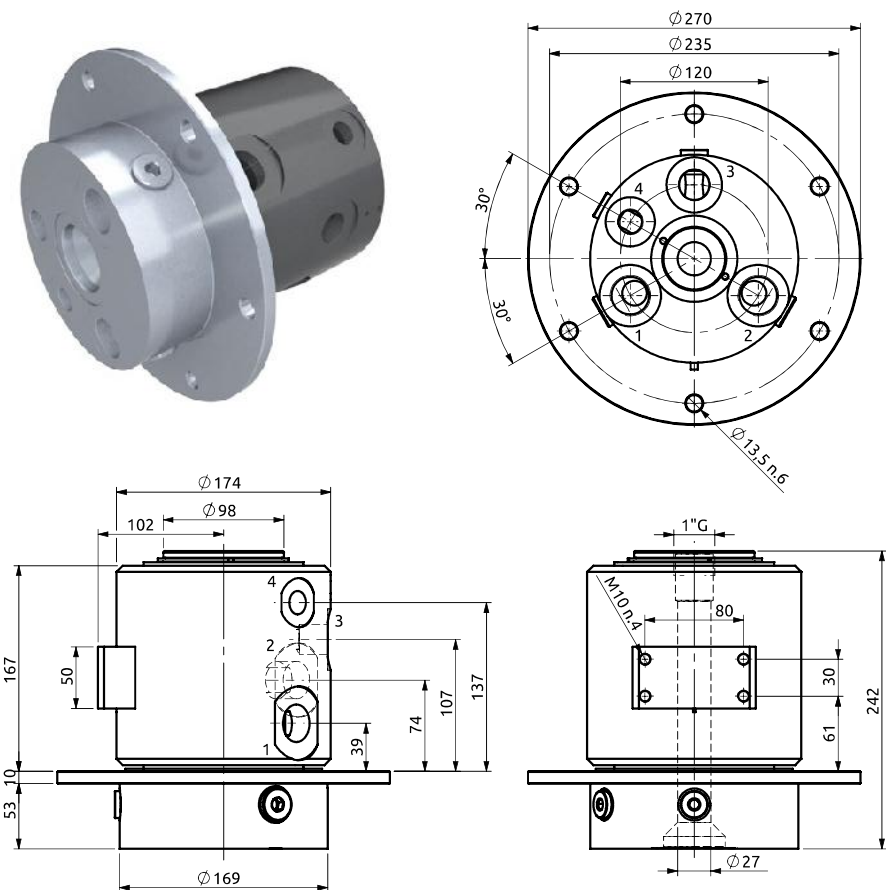




Distributore rotante 04 vie
Swivel joint 04 ways

Item code
D100040200



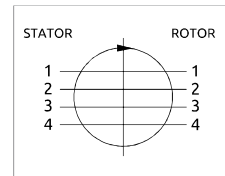
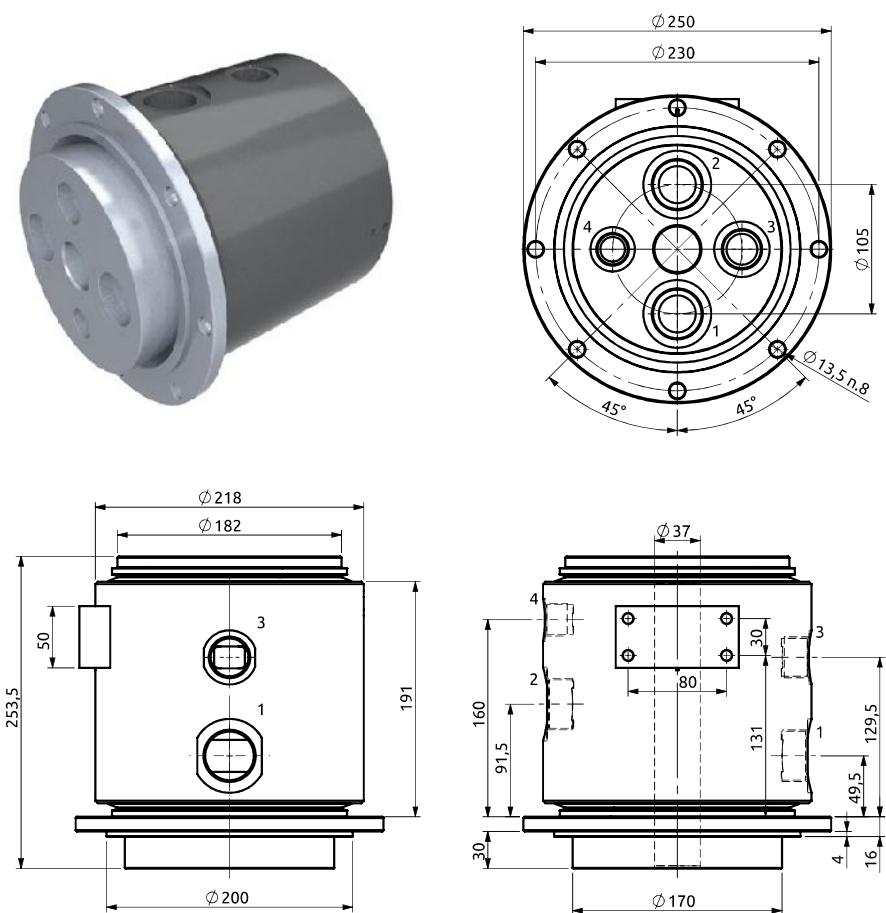
CONNESSIONE
SLIPRING
OK
SLIPRING
CONNECTION

POS.	Statore Stator	Rotore Rotor	DN (mm)	Pressione max a 12RPM (bar) Max pressure at 12RPM (bar)	Fluido Fluid
1	1" G	1" G	20	420	Hydraulic Oil
2	1" G	1" G	20	420	Hydraulic Oil
3	3/4" G	3/4" G	15	420	Hydraulic Oil
4	1/2" G	1/2" G	12	420	Hydraulic Oil



Distributore rotante 04 vie
Swivel joint 04 ways

Item code
D145040200



POS.	Statore Stator	Rotore Rotor	DN (mm)	Pressione max a 12RPM (bar) Max pressure at 12RPM (bar)	Fluido Fluid
1	1" 1/4 G	1" 1/4 G	30	300	Hydraulic Oil
2	1" 1/4 G	1" 1/4 G	30	300	Hydraulic Oil
3	1" G	1" G	20	300	Hydraulic Oil
4	3/4" G	3/4" G	18	300	Hydraulic Oil