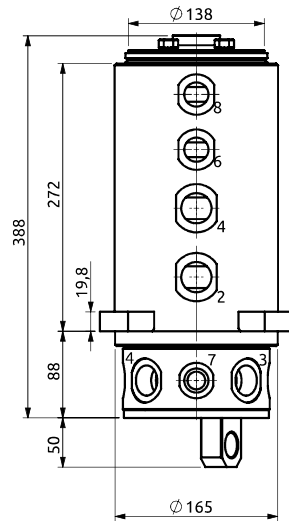
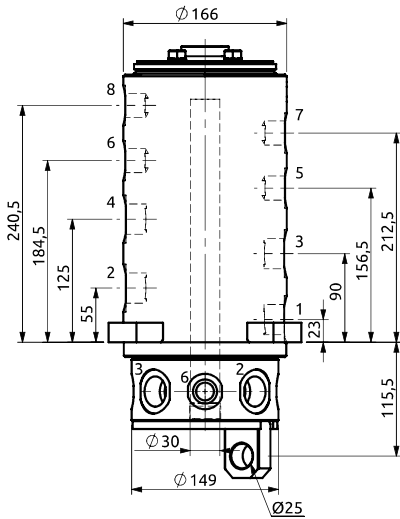
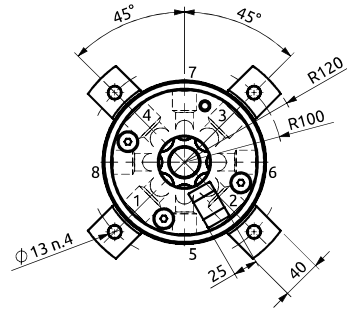


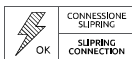
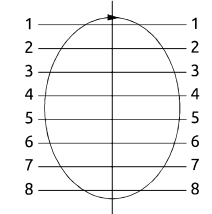


Distributore rotante 08 vie
Swivel joint 08 ways

Item code
D100080500



STATOR ROTOR

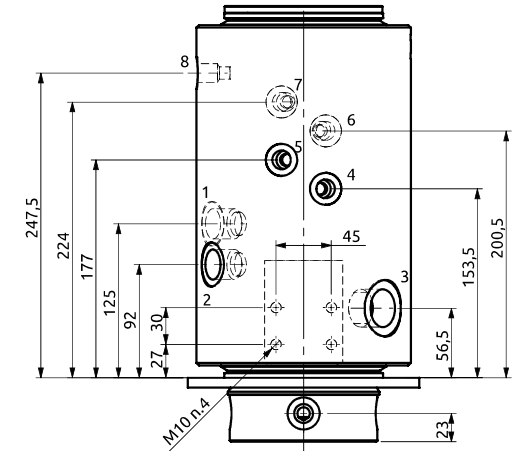
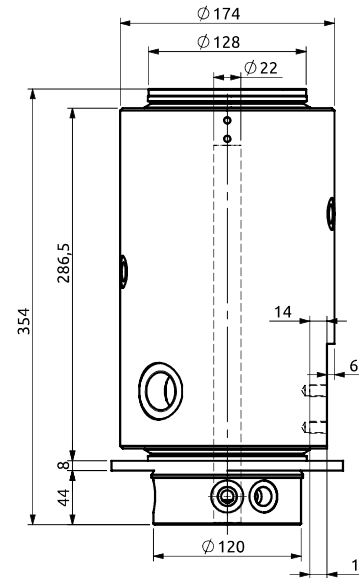
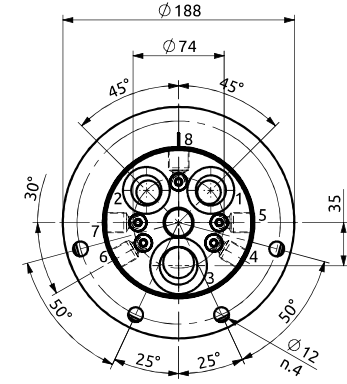


POS.	Statore Stator	Rotore Rotor	DN (mm)	Pressione max a 12RPM (bar) Max pressure at 12RPM (bar)	Fluido Fluid
1	1"G	1"G	22	350	Hydraulic Oil
2	1"G	1"G	22	350	Hydraulic Oil
3	1"G	1"G	22	350	Hydraulic Oil
4	1"G	1"G	22	350	Hydraulic Oil
5	3/4"G	3/4"G	18	350	Hydraulic Oil
6	3/4"G	3/4"G	18	350	Hydraulic Oil
7	3/4"G	3/4"G	18	350	Hydraulic Oil
8	3/4"G	3/4"G	18	350	Hydraulic Oil

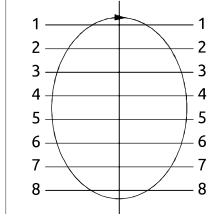


Distributore rotante 08 vie
Swivel joint 08 ways

Item code
D100080800



STATOR ROTOR



POS.	Statore Stator	Rotore Rotor	DN (mm)	Pressione max a 12RPM (bar) Max pressure at 12RPM (bar)	Fluido Fluid
1	3/4"G	3/4"G	19	350	Hydraulic Oil
2	3/4"G	3/4"G	19	350	Hydraulic Oil
3	1"G	1"G	25	350	Hydraulic Oil
4	3/8"G	3/8"G	10	350	Hydraulic Oil
5	3/8"G	3/8"G	10	350	Hydraulic Oil
6	3/8"G	3/8"G	10	350	Hydraulic Oil
7	3/8"G	3/8"G	10	350	Hydraulic Oil
8	3/8"G	3/8"G	10	350	Hydraulic Oil