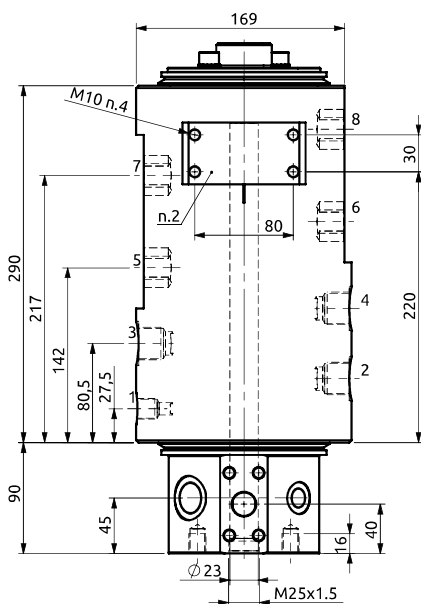
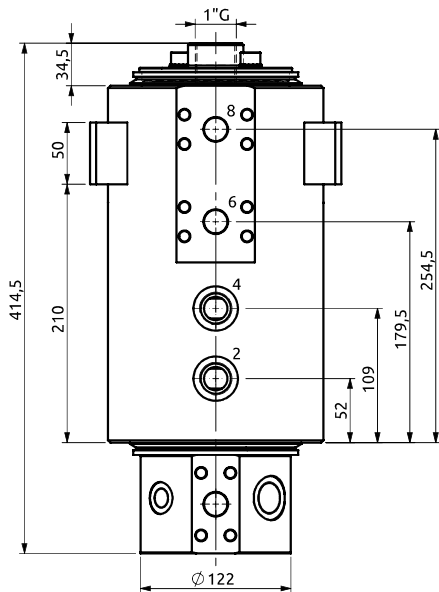
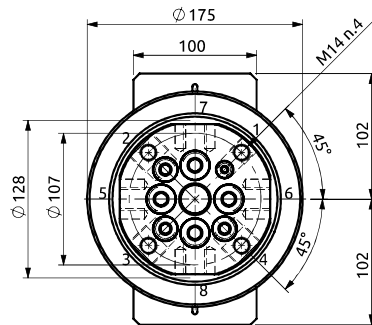


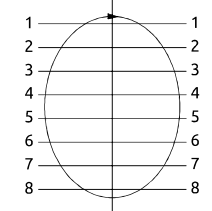


Distributore rotante 08 vie
Swivel joint 08 ways

Item code
D100080900



STATOR ROTOR

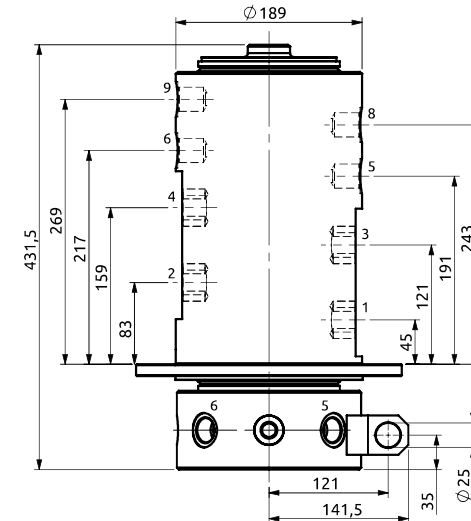
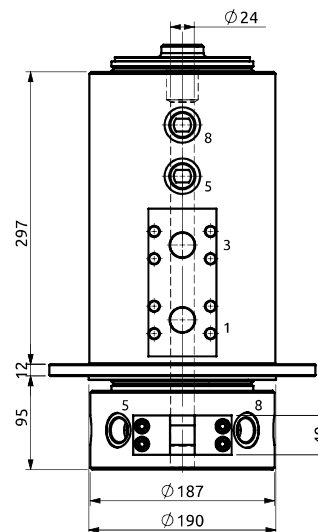
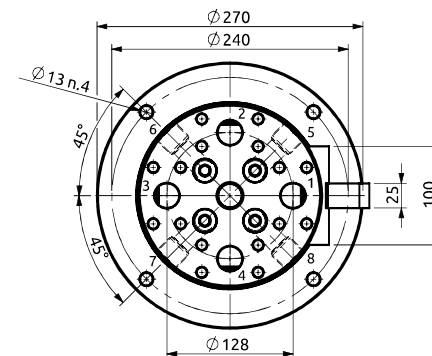


POS.	Statore Stator	Rotore Rotor	DN (mm)	Pressione max a 12RPM (bar) Max pressure at 12RPM (bar)	Fluido Fluid
1	3/8"G	3/8"G	10	320	Hydraulic Oil
2	3/4"G	3/4"G	16	320	Hydraulic Oil
3	3/4"G	3/4"G	16	320	Hydraulic Oil
4	3/4"G	3/4"G	16	320	Hydraulic Oil
5	3/4" SAE 6000	3/4" SAE 6000	20	320	Hydraulic Oil
6	3/4" SAE 6000	3/4" SAE 6000	20	320	Hydraulic Oil
7	3/4" SAE 6000	3/4" SAE 6000	20	320	Hydraulic Oil
8	3/4" SAE 6000	3/4" SAE 6000	20	320	Hydraulic Oil

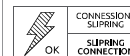
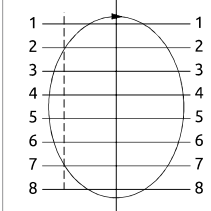


Distributore rotante 08 vie
Swivel joint 08 ways

Item code
D110080200



STATOR ROTOR



POS.	Statore Stator	Rotore Rotor	DN (mm)	Pressione max a 12RPM (bar) Max pressure at 12RPM (bar)	Fluido Fluid
1	1" SAE 6000	1" SAE 6000	25	350	Hydraulic Oil
2	1" SAE 6000	1" SAE 6000	25	350	Hydraulic Oil
3	1" SAE 6000	1" SAE 6000	25	350	Hydraulic Oil
4	1" SAE 6000	1" SAE 6000	25	350	Hydraulic Oil
5	3/4"G	3/4"G	18	350	Hydraulic Oil
6	3/4"G	3/4"G	18	350	Hydraulic Oil
7	3/4"G	3/4"G	18	350	Hydraulic Oil
8	3/4"G	3/4"G	18	50	Drain