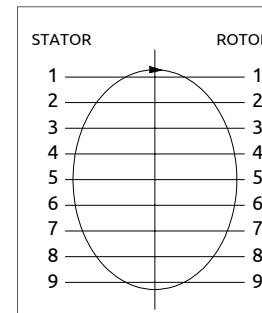
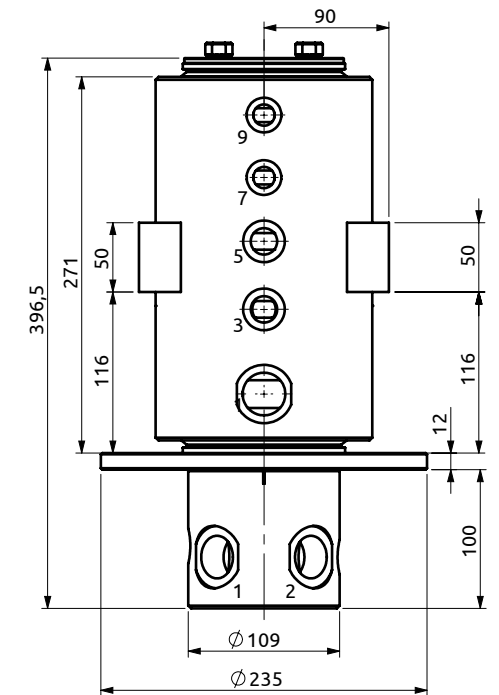
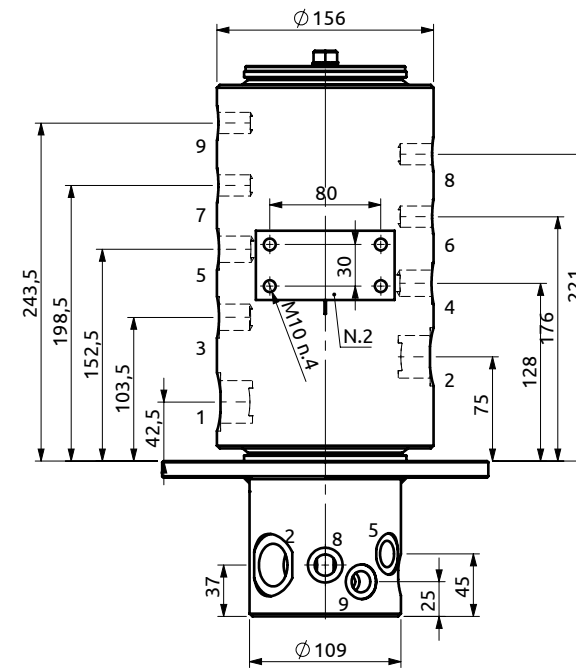
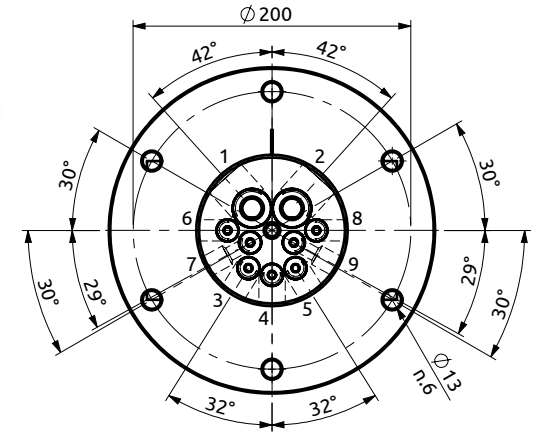
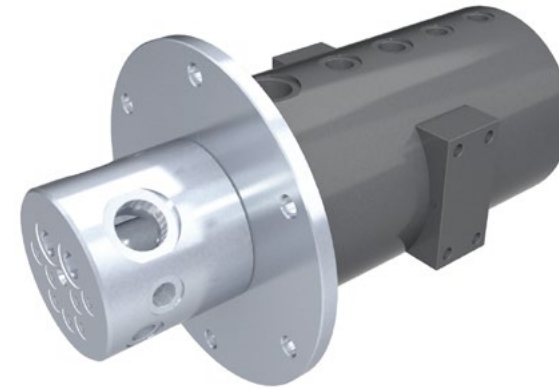


POS.	Statore Stator	Rotore Rotor	DN (mm)	Pressione max a 12RPM (bar) Max pressure at 12RPM (bar)	Fluido Fluid
1	3/8"G	3/8"G	16	300	Hydraulic Oil
2	3/8"G	3/8"G	16	300	Hydraulic Oil
3	3/8"G	3/8"G	16	300	Hydraulic Oil
4	3/8"G	3/8"G	16	300	Hydraulic Oil
5	3/8"G	3/8"G	12	300	Hydraulic Oil
6	3/8"G	3/8"G	12	300	Hydraulic Oil
7	3/8"G	3/8"G	12	300	Hydraulic Oil
8	3/8"G	3/8"G	12	300	Hydraulic Oil



POS.	Statore Stator	Rotore Rotor	DN (mm)	Pressione max a 12RPM (bar) Max pressure at 12RPM (bar)	Fluido Fluid
1	1"G	1"G	25	350	Hydraulic Oil
2	1"G	1"G	25	350	Hydraulic Oil
3	1/2"G	1/2"G	12	350	Hydraulic Oil
4	1/2"G	1/2"G	12	350	Hydraulic Oil
5	1/2"G	1/2"G	12	350	Hydraulic Oil
6	3/8"G	3/8"G	10	350	Hydraulic Oil
7	3/8"G	3/8"G	10	350	Hydraulic Oil
8	3/8"G	3/8"G	10	350	Hydraulic Oil
9	3/8"G	3/8"G	10	350	Hydraulic Oil