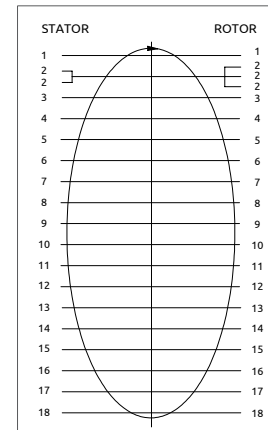
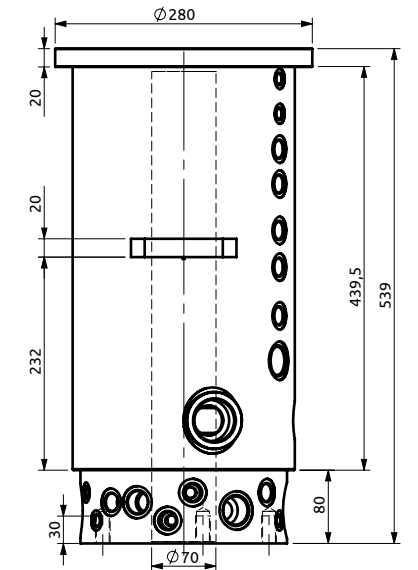
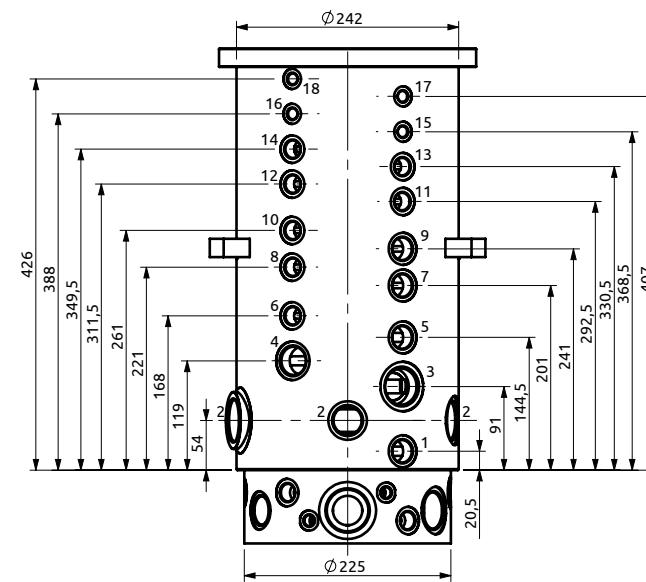
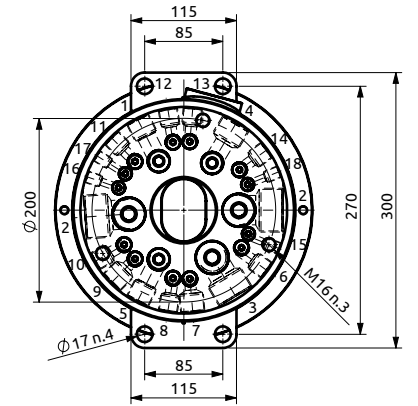


POS.	Statore Stator	Rotore Rotor	DN (mm)	Pressione max a 12RPM (bar) Max pressure at 12RPM (bar)	Fluido Fluid
1	1"1/4 SAE 6000	1"1/4 SAE 6000	30	380	Hydraulic Oil
2	1"1/4 SAE 6000	1"1/4 SAE 6000	30	380	Hydraulic Oil
3	1"1/4 SAE 6000	1"1/4 SAE 6000	30	380	Hydraulic Oil
4	1"1/4 SAE 6000	1"1/4 SAE 6000	30	380	Hydraulic Oil
5	1/2"G	1/2"G	12	300	Hydraulic Oil
6	1/2"G	1/2"G	12	300	Hydraulic Oil
7	1/2"G	1/2"G	12	300	Hydraulic Oil
8	1/2"G	1/2"G	12	300	Hydraulic Oil
9	1/2"G	1/2"G	12	300	Hydraulic Oil
10	1/2"G	1/2"G	12	300	Hydraulic Oil
11	1/2"G	1/2"G	12	300	Hydraulic Oil
12	1/4"G	1/4"G	6	300	Hydraulic Oil
13	1/4"G	1/4"G	6	300	Hydraulic Oil
14	1/4"G	1/4"G	6	300	Hydraulic Oil
15	1/4"G	1/4"G	6	300	Hydraulic Oil
16	1/4"G	1/4"G	6	300	Hydraulic Oil
17	1/4"G	1/4"G	6	300	Hydraulic Oil
18	1/4"G	1/4"G	6	300	Hydraulic Oil



POS.	Statore Stator	Rotore Rotor	DN (mm)	Pressione max a 12RPM (bar) Max pressure at 12RPM (bar)	Fluido Fluid
1	3/4"G	3/4"G	20	300	Hydraulic Oil
2	1"1/2G n.2	1"1/2G-1"1/4G-1"G	32	300	Hydraulic Oil
3	1"1/4G	1"1/4G	30	300	Hydraulic Oil
4	1"G	1"G	20	300	Hydraulic Oil
5	3/4"G	3/4"G	20	300	Hydraulic Oil
6	1/2"G	1/2"G	12	300	Hydraulic Oil
7	3/4"G	3/4"G	12	300	Hydraulic Oil
8	1/2"G	1/2"G	12	300	Hydraulic Oil
9	3/4"G	3/4"G	12	300	Hydraulic Oil
10	1/2"G	1/2"G	12	300	Hydraulic Oil
11	1/2"G	1/2"G	12	10	Air
12	1/2"G	1/2"G	12	10	Air
13	1/2"G	1/2"G	12	10	Air
14	1/2"G	1/2"G	12	10	Air
15	1/4"G	1/4"G	8	10	Air
16	1/4"G	1/4"G	8	10	Air
17	1/4"G	1/4"G	8	10	Air
18	1/4"G	1/4"G	8	10	Air