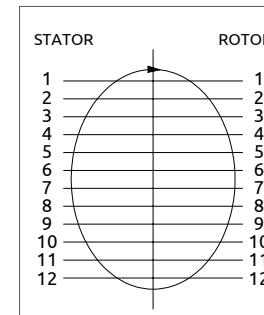
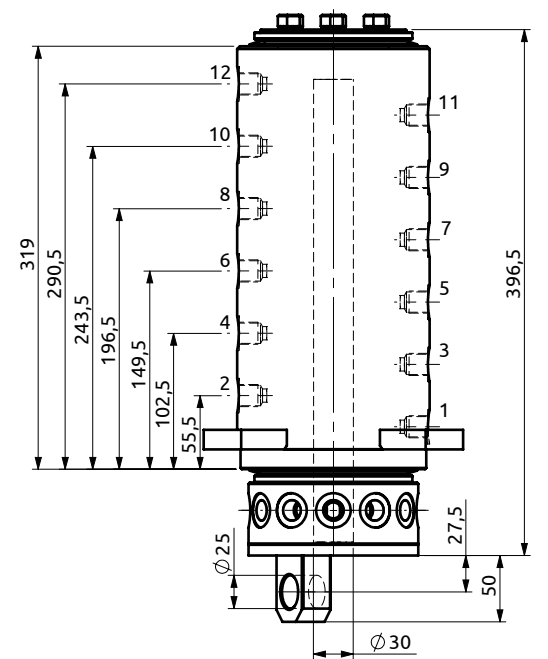
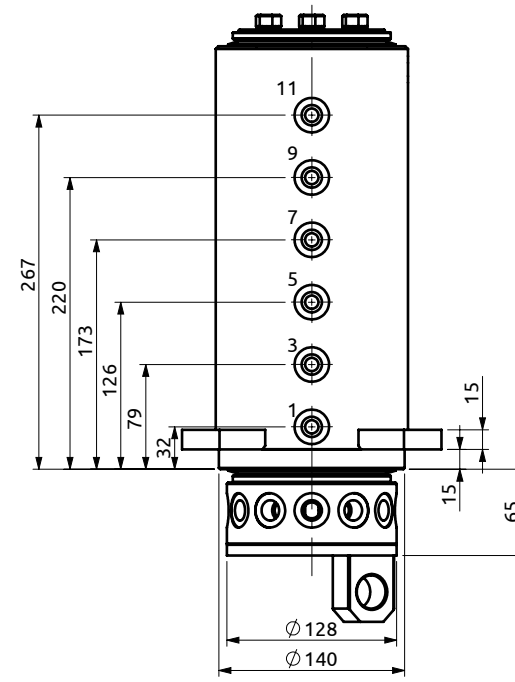
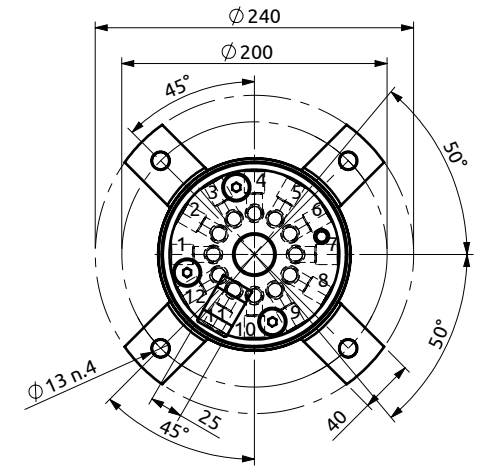
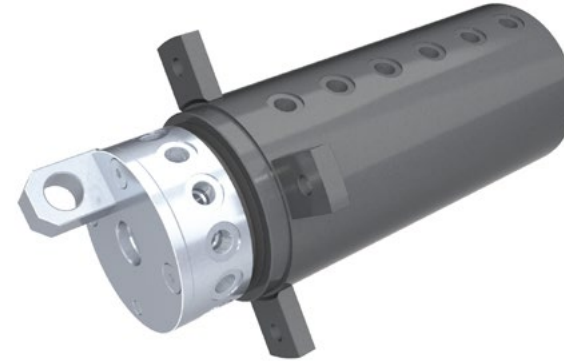


POS.	Statore Stator	Rotore Rotor	DN (mm)	Pressione max a 12RPM (bar) Max pressure at 12RPM (bar)	Fluido Fluid
1	1/2"G	1/2"G	16	400	Hydraulic Oil
2	1/2"G	1/2"G	16	400	Hydraulic Oil
3	1/2"G	1/2"G	16	400	Hydraulic Oil
4	1"1/4G	1"1/4G	30	400	Hydraulic Oil
5	1"1/4G	1"1/4G	30	400	Hydraulic Oil
6	1"1/4G	1"1/4G	30	400	Hydraulic Oil
7	1"1/4G	1"1/4G	30	400	Hydraulic Oil
8	1"1/4G	1"1/4G	30	400	Hydraulic Oil
9	1"1/4G	1"1/4G	30	400	Hydraulic Oil
10	3/4"G	3/4"G	16	50	Drain



POS.	Statore Stator	Rotore Rotor	DN (mm)	Pressione max a 12RPM (bar) Max pressure at 12RPM (bar)	Fluido Fluid
1	3/8"G	3/8"G	10	350	Hydraulic Oil
2	3/8"G	3/8"G	10	350	Hydraulic Oil
3	3/8"G	3/8"G	10	350	Hydraulic Oil
4	3/8"G	3/8"G	10	350	Hydraulic Oil
5	3/8"G	3/8"G	10	350	Hydraulic Oil
6	3/8"G	3/8"G	10	350	Hydraulic Oil
7	3/8"G	3/8"G	10	350	Hydraulic Oil
8	3/8"G	3/8"G	10	350	Hydraulic Oil
9	3/8"G	3/8"G	10	350	Hydraulic Oil
10	3/8"G	3/8"G	10	350	Hydraulic Oil
11	3/8"G	3/8"G	10	350	Hydraulic Oil
12	3/8"G	3/8"G	10	350	Hydraulic Oil