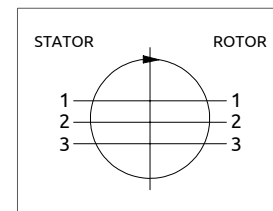
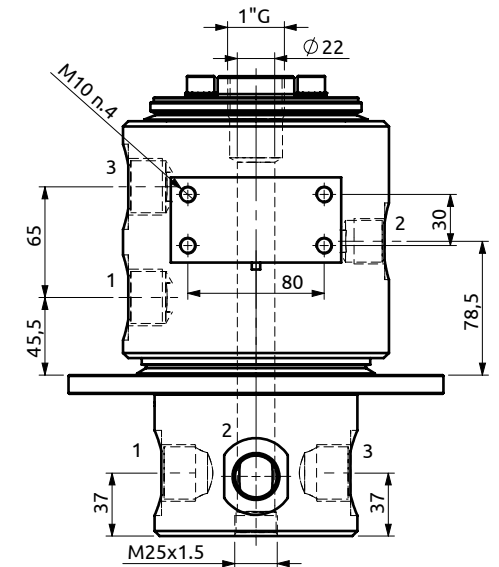
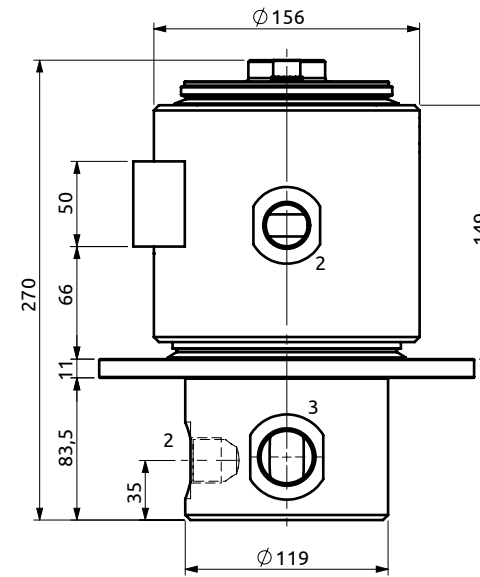
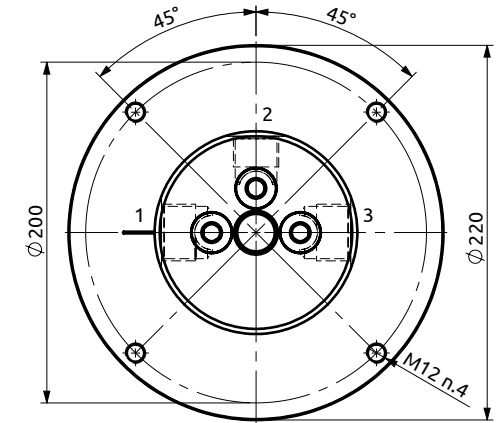
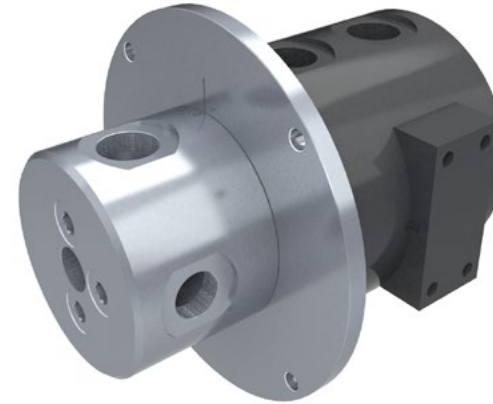


POS.	Statore Stator	Rotore Rotor	DN (mm)	Pressione max a 12RPM (bar) Max pressure at 12RPM (bar)	Fluido Fluid
1	1.1/2" SAE6000	n.2 1.1/2" SAE6000	35	300	Hydraulic Oil
2	1.1/2" SAE6000	n.2 1.1/2" SAE6000	35	300	Hydraulic Oil



POS.	Statore Stator	Rotore Rotor	DN (mm)	Pressione max a 12RPM (bar) Max pressure at 12RPM (bar)	Fluido Fluid
1	1"G	1"G	20	300	Hydraulic Oil
2	3/4"G	3/4"G	20	300	Hydraulic Oil
3	1"G	1"G	20	300	Hydraulic Oil