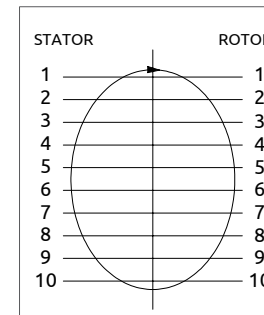
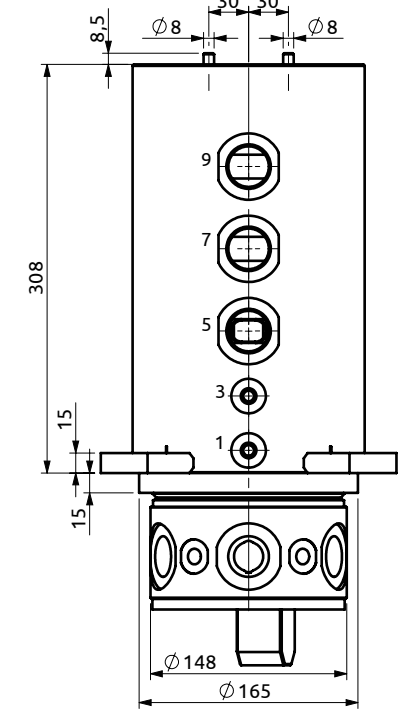
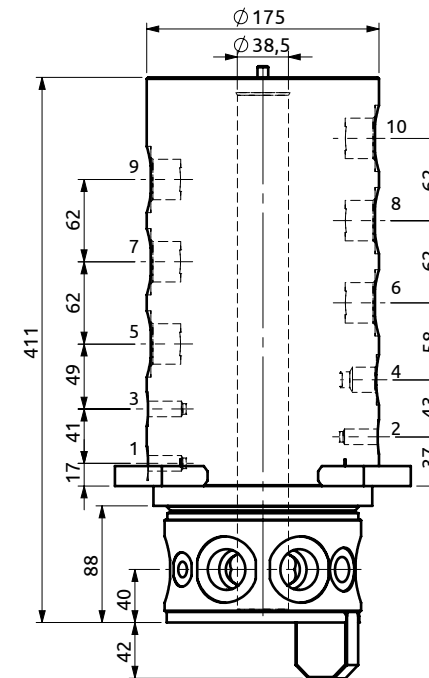
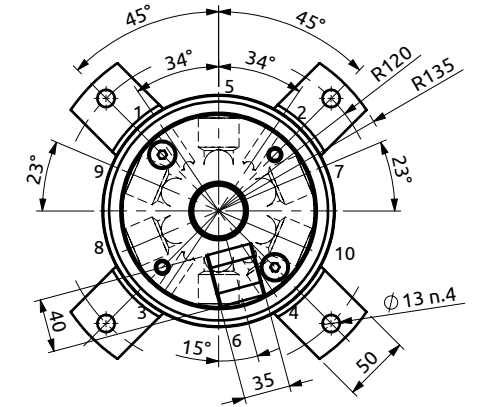


POS.	Statore Stator	Rotore Rotor	DN (mm)	Pressione max a 12RPM (bar) Max pressure at 12RPM (bar)	Fluido Fluid
1	1/4"G	1/4"G	10	300	Hydraulic Oil
2	1/4"G	1/4"G	10	300	Hydraulic Oil
3	1/4"G	1/4"G	10	300	Hydraulic Oil
4	1/4"G	1/4"G	10	300	Hydraulic Oil
5	1/4"G	1/4"G	10	300	Hydraulic Oil
6	1/4"G	1/4"G	10	300	Hydraulic Oil
7	1/4"G	1/4"G	10	300	Hydraulic Oil
8	1/4"G	1/4"G	10	300	Hydraulic Oil
9	1/2"G	1/2"G	14	300	Hydraulic Oil
10	1/2"G	1/2"G	14	300	Hydraulic Oil



POS.	Statore Stator	Rotore Rotor	DN (mm)	Pressione max a 12RPM (bar) Max pressure at 12RPM (bar)	Fluido Fluid
1	1/4"G	1/4"G	8	350	Hydraulic Oil
2	1/4"G	1/4"G	8	350	Hydraulic Oil
3	1/4"G	1/4"G	8	350	Hydraulic Oil
4	1/2"G	1/2"G	12	350	Hydraulic Oil
5	1"G	1"G	22	350	Hydraulic Oil
6	1"G	1"G	22	350	Hydraulic Oil
7	1"G	1"G	22	350	Hydraulic Oil
8	1"G	1"G	22	350	Hydraulic Oil
9	1"G	1"G	22	350	Hydraulic Oil
10	1"G	1"G	22	350	Hydraulic Oil