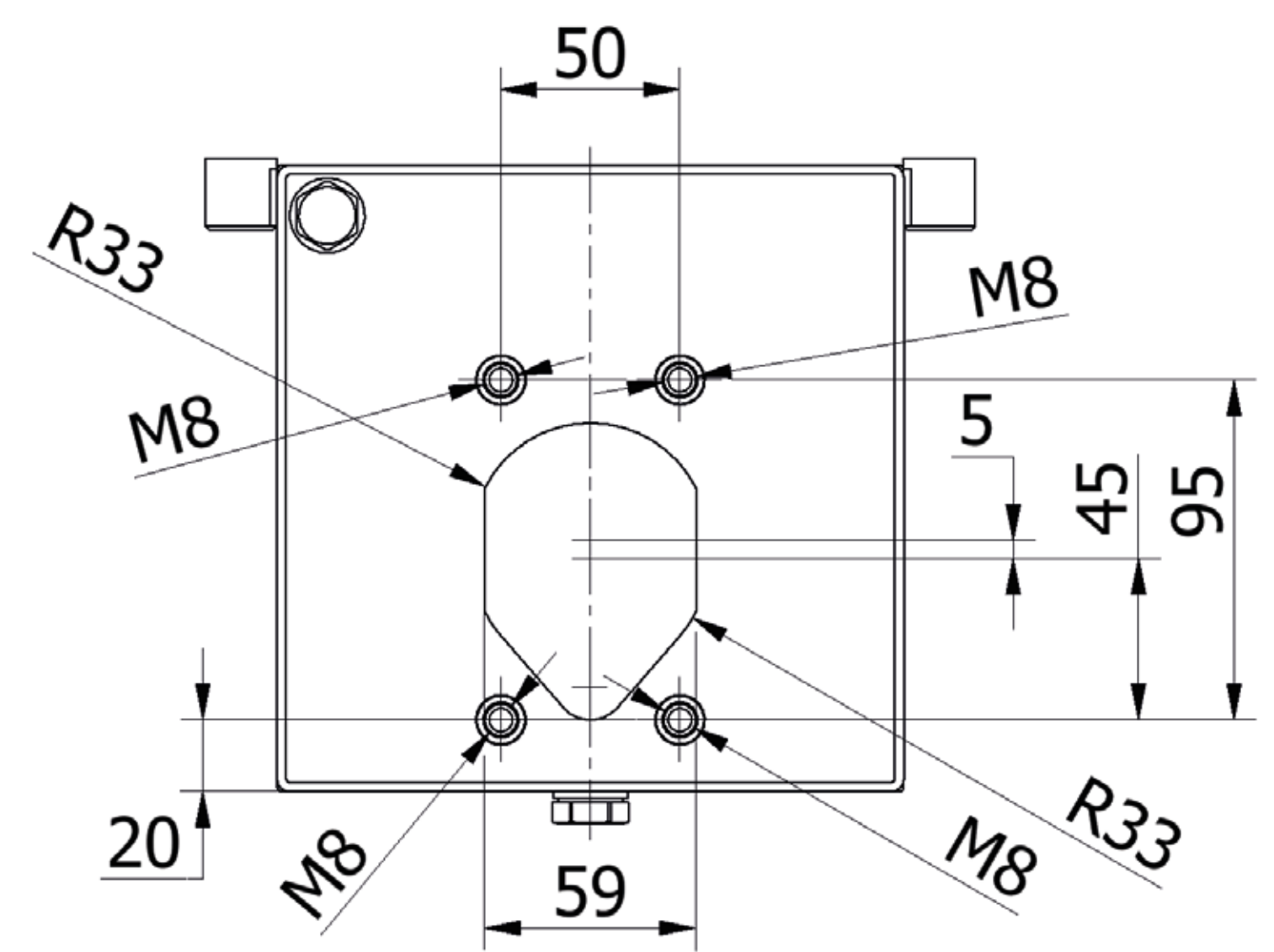
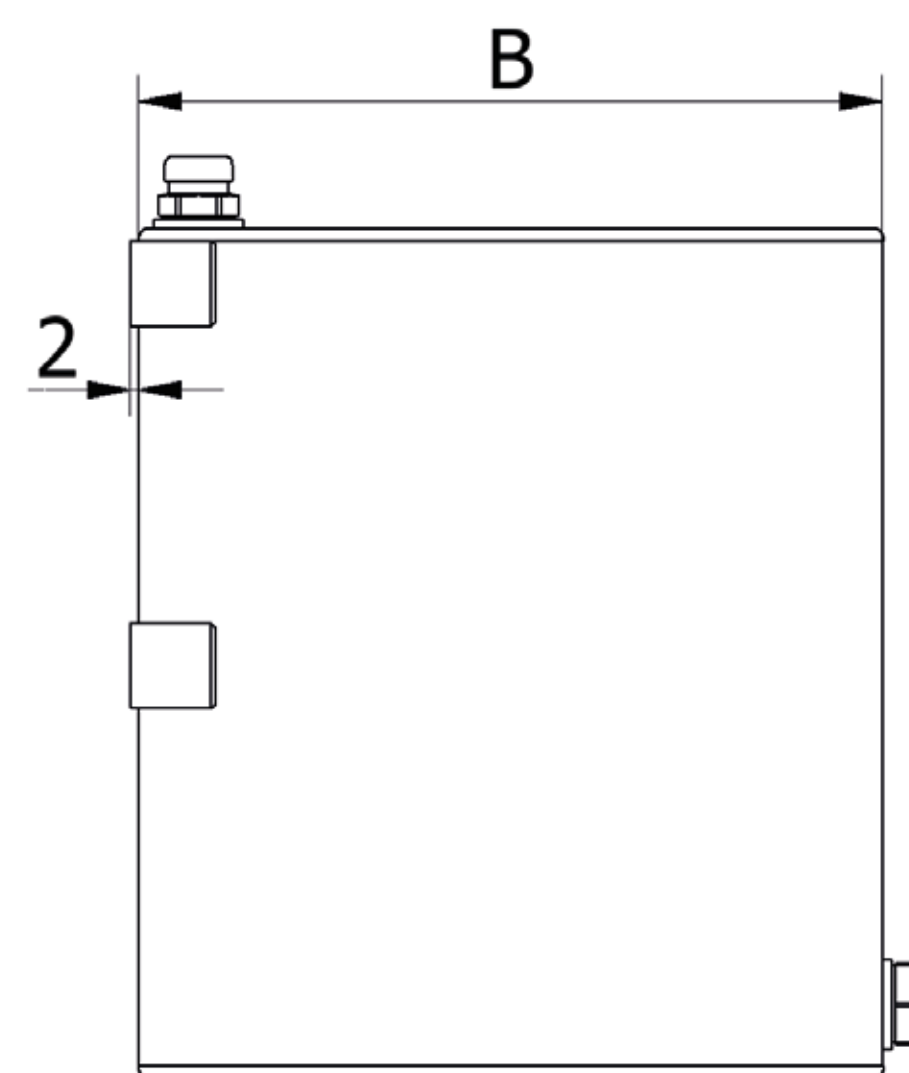
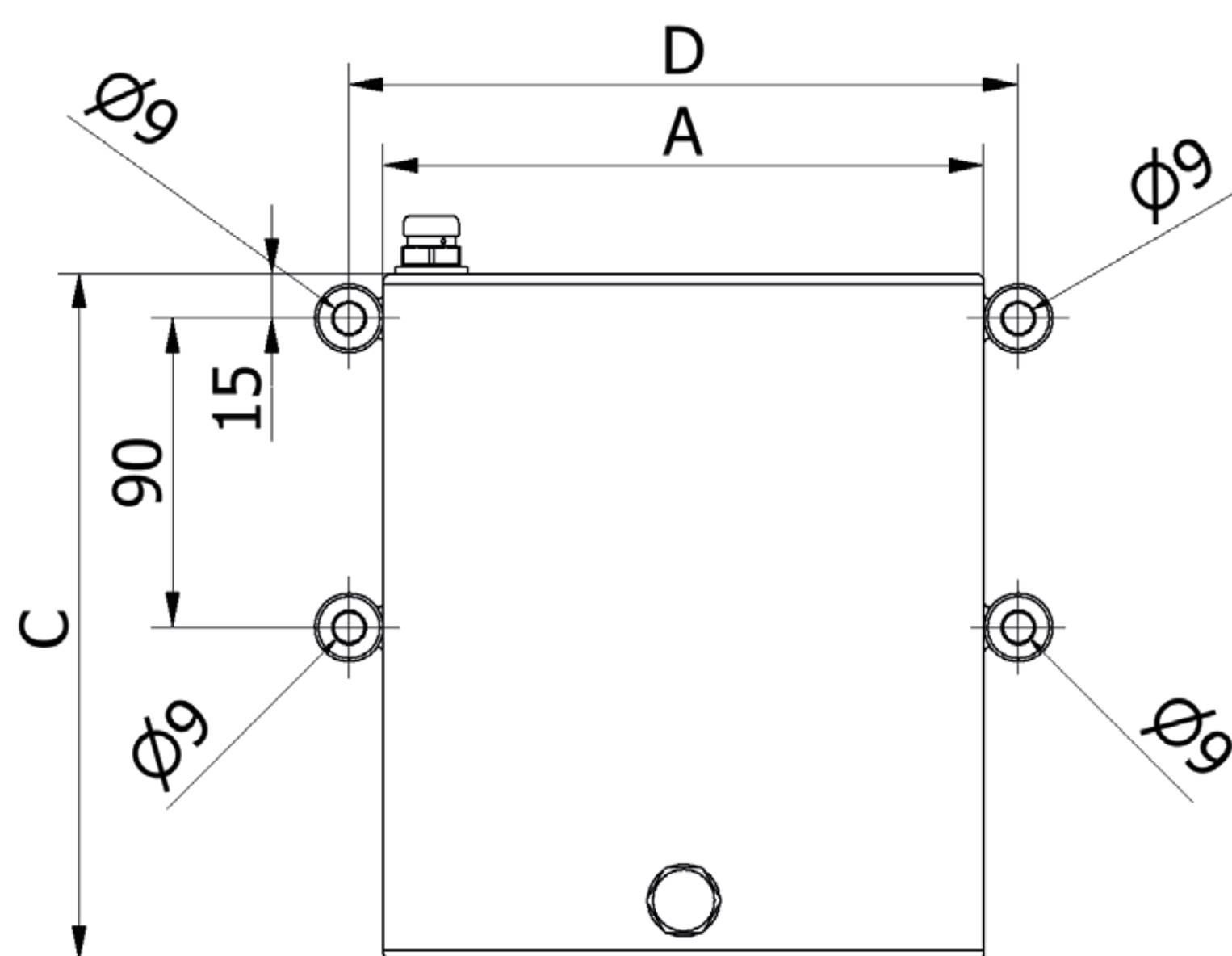
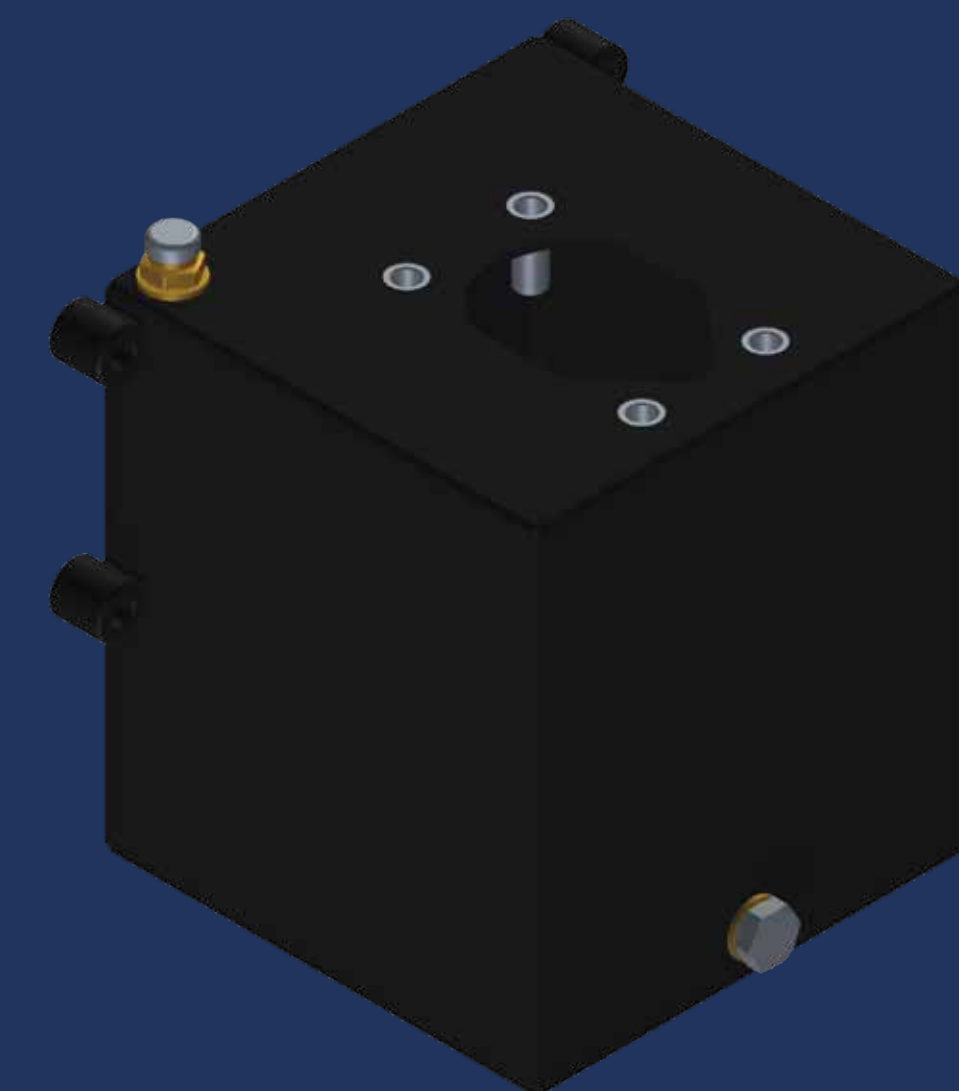


DETAILS

Painted steel oil tank for hand pumps lt. 5

SPECIFICATIONS

Model S5 ac 175x175x200
Suction pipe included
Breather cap 1/4 G
Release cap 1/4 G
Standard colour black



CAPACITY liters	A mm	B mm	C mm	D mm	MASS KG	SUCTION PIPE	CODE
5	175	175	200	195	5,300	Ø10x156 mm	6500.0143