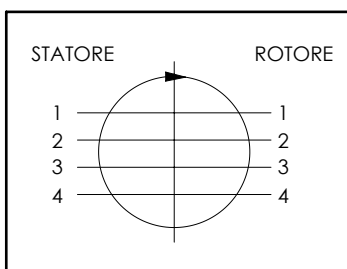
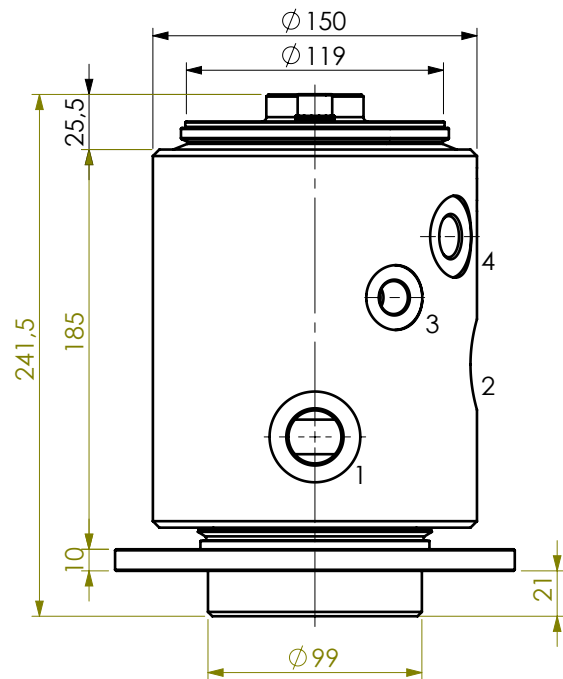
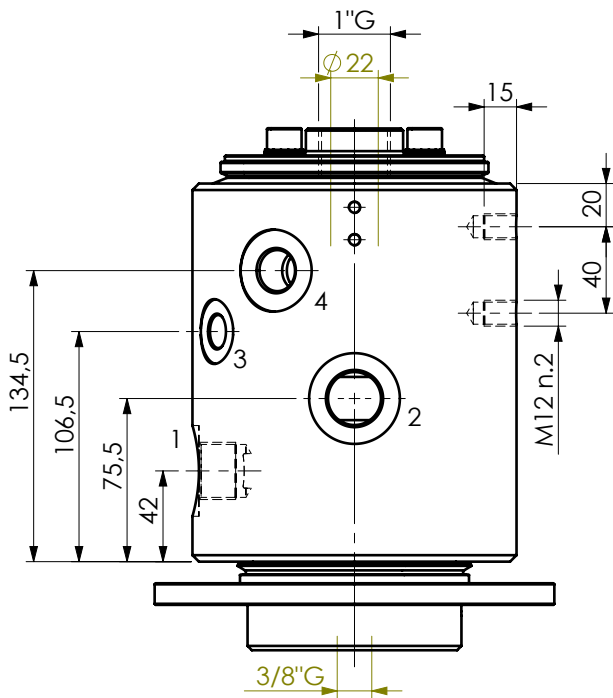
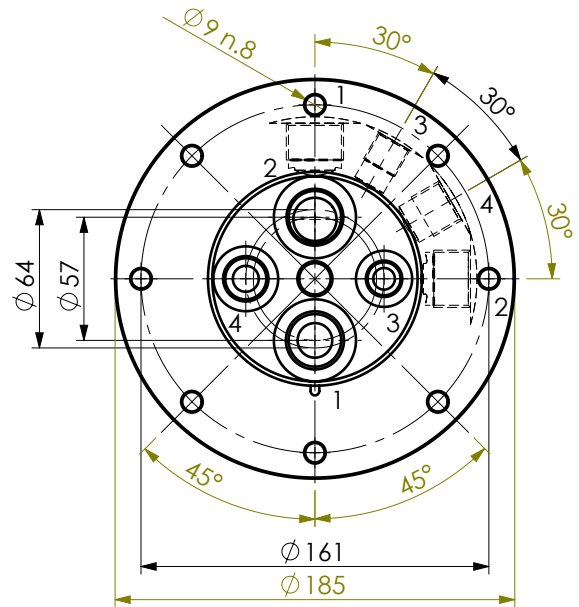
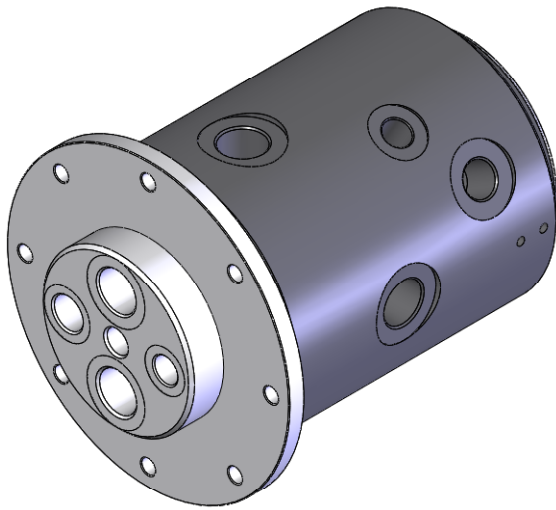


PESO/WEIGHT = 25.034 Kg



POS.	STATORE stator	ROTORE rotor	DN [mm]	PRESSIONE LAVORO [bar] working pressure [bar]	PRESSIONE MAX [bar] max pressure [bar]	FLUIDO fluid
1	3/4"G	3/4"G	16	350	400	Hydraulic Oil
2	3/4"G	3/4"G	20	350	400	Hydraulic Oil
3	3/8"G	3/8"G	10	350	400	Hydraulic Oil
4	1/2"G	1/2"G	12	350	400	Hydraulic Oil