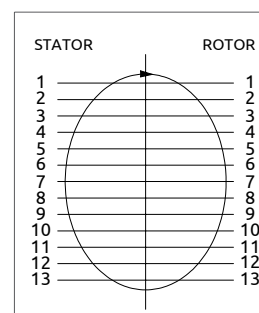
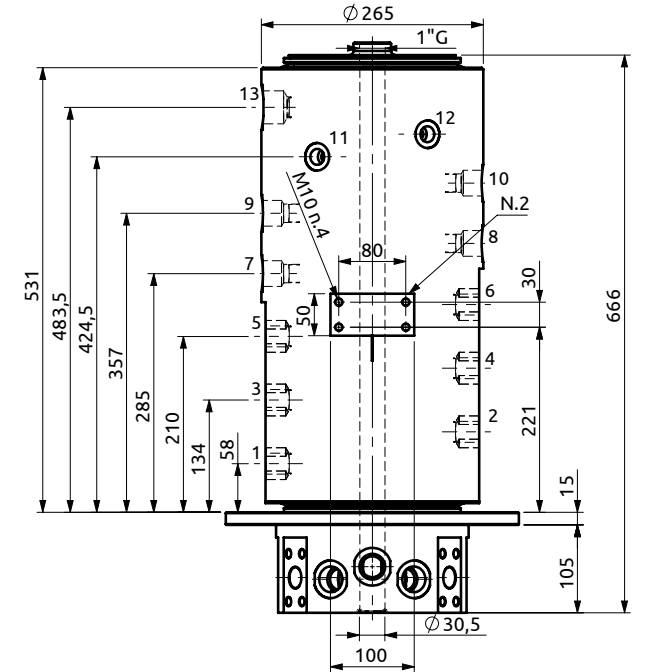
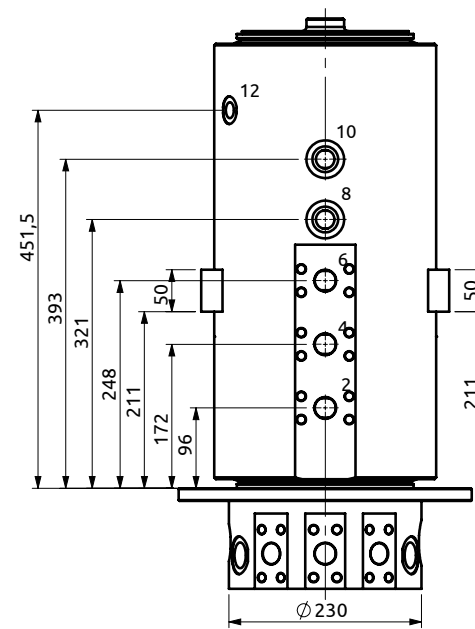
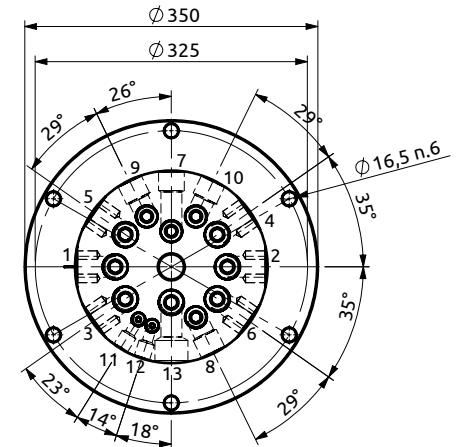
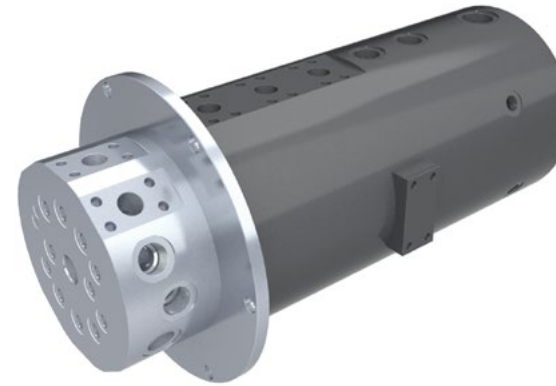


POS.	Statore Stator	Rotore Rotor	DN (mm)	Pressione max a 12RPM (bar) Max pressure at 12RPM (bar)	Fluido Fluid
1	M18x1.5	M18x1.5	10	350	Hydraulic Oil
2	M18x1.5	M18x1.5	10	350	Hydraulic Oil
3	M20x1.5	M20x1.5	14	30	Drain
4	M14x1.5	M14x1.5	10	350	Hydraulic Oil
5	M14x1.5	M14x1.5	10	350	Hydraulic Oil
6	M14x1.5	M14x1.5	10	350	Hydraulic Oil
7	M14x1.5	M14x1.5	10	350	Hydraulic Oil
8	M14x1.5	M14x1.5	10	350	Hydraulic Oil
9	M20x1.5	M20x1.5	14	350	Hydraulic Oil
10	M20x1.5	M20x1.5	14	350	Hydraulic Oil
11	M14x1.5	M14x1.5	10	350	Hydraulic Oil
12	M33x2	M33x2	22	350	Hydraulic Oil
13	M33x2	M33x2	22	350	Hydraulic Oil



POS.	Statore Stator	Rotore Rotor	DN (mm)	Pressione max a 12RPM (bar) Max pressure at 12RPM (bar)	Fluido Fluid
1	1"SAE 6000	1"SAE 6000	25	350	Hydraulic Oil
2	1"SAE 6000	1"SAE 6000	25	350	Hydraulic Oil
3	1"SAE 6000	1"SAE 6000	25	350	Hydraulic Oil
4	1"SAE 6000	1"SAE 6000	25	350	Hydraulic Oil
5	1"SAE 6000	1"SAE 6000	25	350	Hydraulic Oil
6	1"SAE 6000	1"SAE 6000	25	350	Hydraulic Oil
7	1"G	1"G	22	300	Hydraulic Oil
8	1"G	1"G	22	300	Hydraulic Oil
9	1"G	1"G	22	300	Hydraulic Oil
10	1"G	1"G	22	300	Hydraulic Oil
11	1/2" G	1/2" G	12	150	Hydraulic Oil
12	1/2" G	1/2" G	12	60	Hydraulic Oil
13	1"1/4G	1"1/4G	25	60	Hydraulic Oil