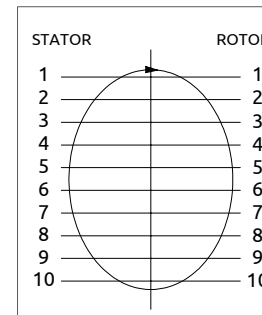
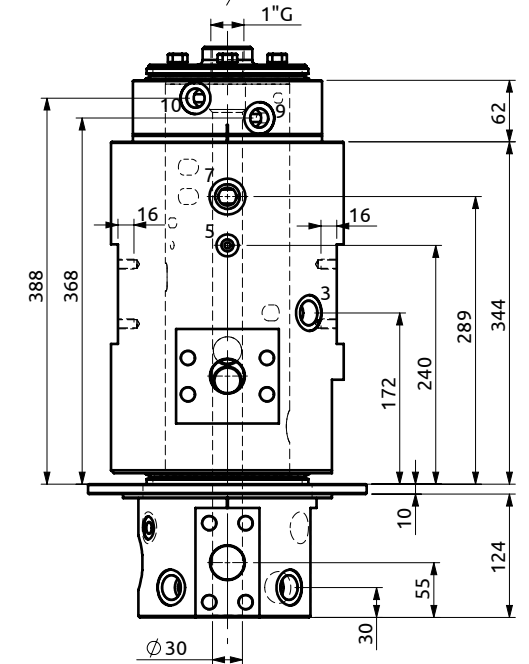
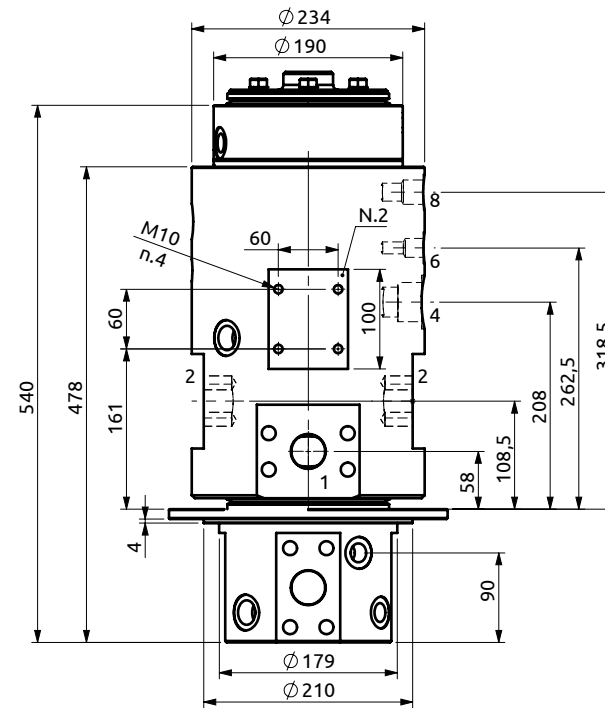
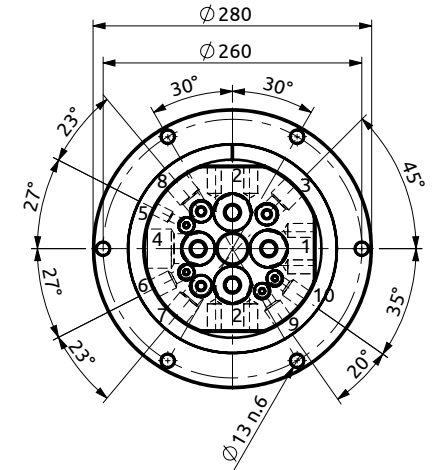
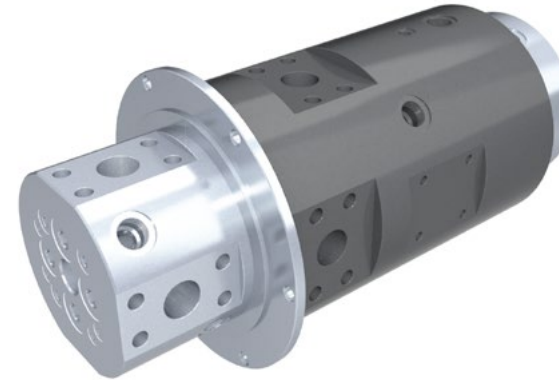


POS.	Statore Stator	Rotore Rotor	DN (mm)	Pressione max a 12RPM (bar) Max pressure at 12RPM (bar)	Fluido Fluid
1	3/4"G	3/4"G	18	380	Hydraulic Oil
2	3/4"G	3/4"G	18	380	Hydraulic Oil
3	3/4"G	3/4"G	18	380	Hydraulic Oil
4	3/4"G	3/4"G	18	380	Hydraulic Oil
5	1/2"G	1/2"G	14	380	Hydraulic Oil
6	1/2"G	1/2"G	14	380	Hydraulic Oil
7	1/2"G	1/2"G	14	380	Hydraulic Oil
8	1/2"G	1/2"G	14	380	Hydraulic Oil
9	3/8"G	3/8"G	10	380	Hydraulic Oil
10	3/8"G	3/8"G	10	380	Hydraulic Oil



POS.	Statore Stator	Rotore Rotor	DN (mm)	Pressione max a 12RPM (bar) Max pressure at 12RPM (bar)	Fluido Fluid
1	1 1/2" SAE 6000	1 1/2" SAE 6000	34	300	Hydraulic Oil
2a	1 1/2" SAE 6000	1 1/2" SAE 6000	34	300	Hydraulic Oil
2b					
3	3/4"G	3/4"G	18	300	Hydraulic Oil
4	1 1/4"G	1 1/4"G	30	300	Hydraulic Oil
5	1/4"G	1/4"G	6	300	Hydraulic Oil
6	1/2"G	1/2"G	12	300	Hydraulic Oil
7	3/4"G	3/4"G	18	300	Hydraulic Oil
8	3/4"G	3/4"G	18	300	Hydraulic Oil
9	1/2"G	1/2"G	12	200	Water
10	1/2"G	1/2"G	12	200	Water