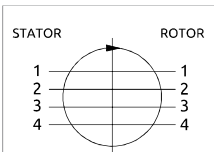
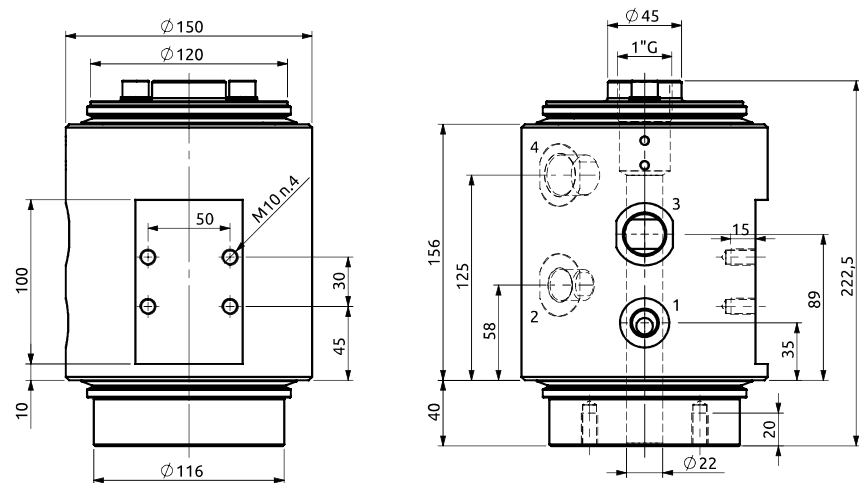
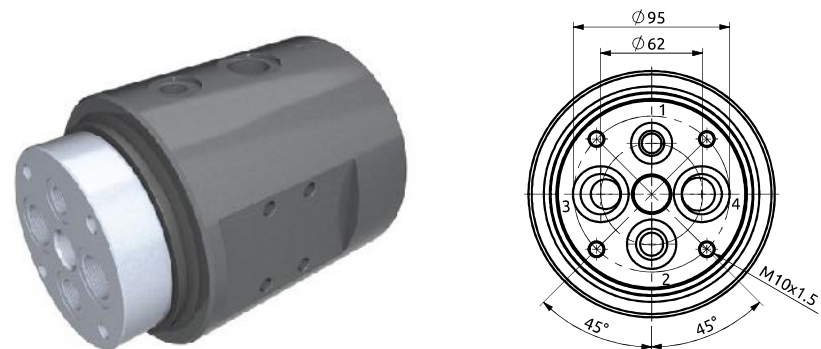




Distributore rotante 04 vie
Swivel joint 04 ways

Item code
D085041100

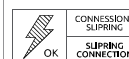
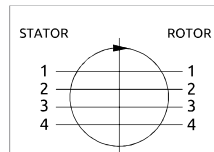
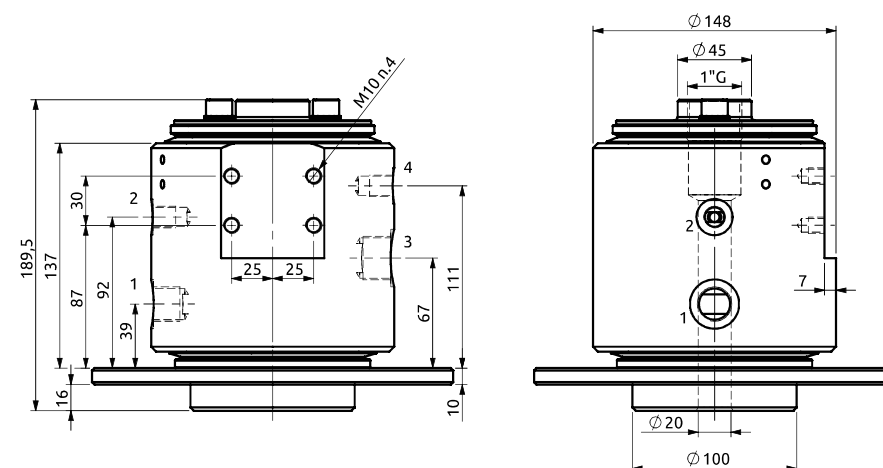
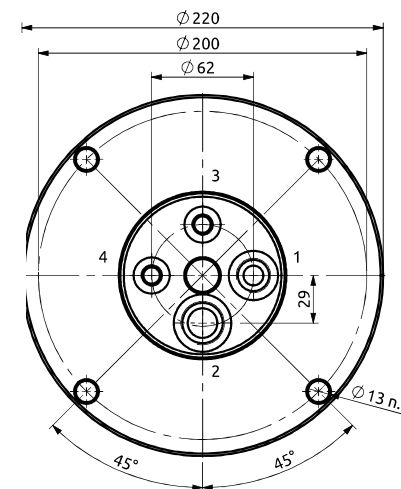


POS.	Statore Stator	Rotore Rotor	DN (mm)	Pressione max a 12RPM (bar) Max pressure at 12RPM (bar)	Fluido Fluid
1	3/8" G	3/8" G	10	420	Hydraulic Oil
2	1/2" G	1/2" G	14	420	Hydraulic Oil
3	3/4" G	3/4" G	18	420	Hydraulic Oil
4	3/4" G	3/4" G	18	420	Hydraulic Oil



Distributore rotante 04 vie
Swivel joint 04 ways

Item code
D085041900



POS.	Statore Stator	Rotore Rotor	DN (mm)	Pressione max a 12RPM (bar) Max pressure at 12RPM (bar)	Fluido Fluid
1	1/2" G	1/2" G	12	300	Hydraulic Oil
2	3/4" G	3/4" G	18	300	Hydraulic Oil
3	1/4" G	1/4" G	6	300	Hydraulic Oil
4	1/4" G	1/4" G	6	300	Hydraulic Oil