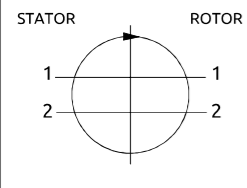
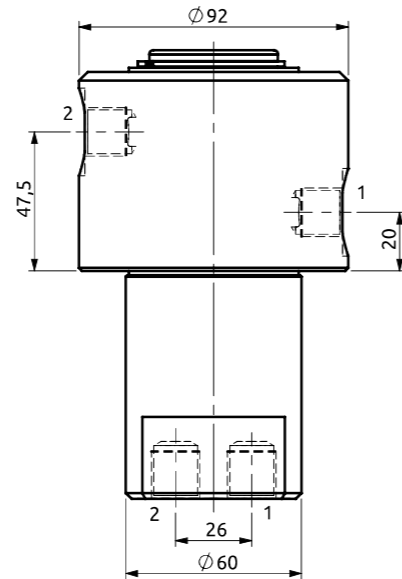
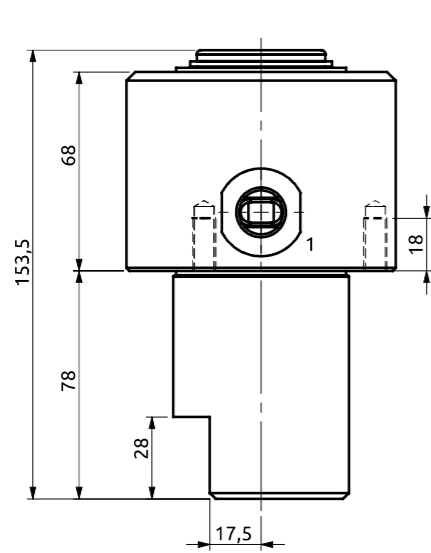
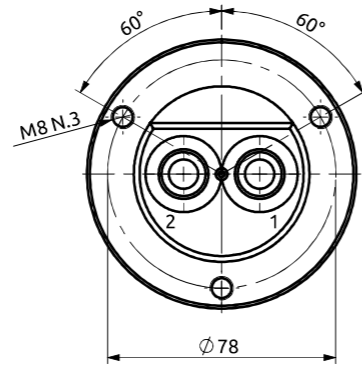




Distributore rotante 02 vie
Swivel joint 02 ways

Item code
D045020200

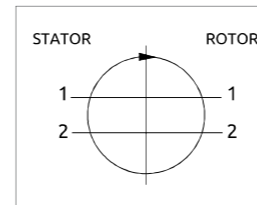
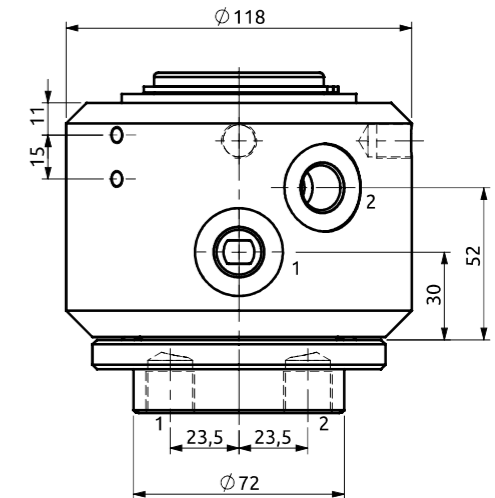
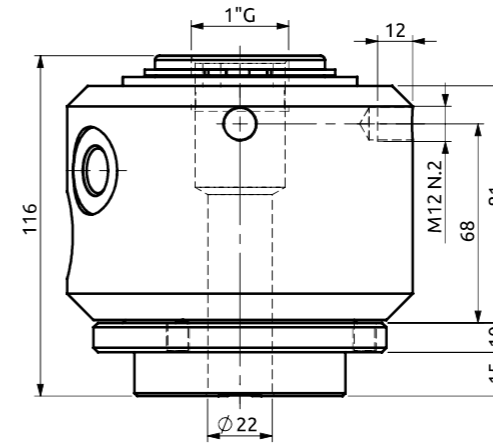
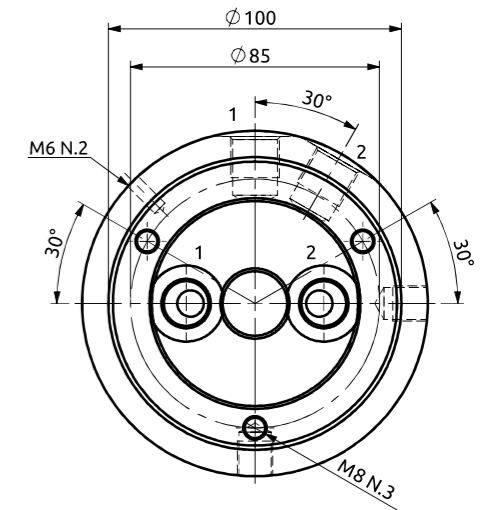


POS.	Statore Stator	Rotore Rotor	DN (mm)	Pressione max a 12RPM (bar) Max pressure at 12RPM (bar)	Fluido Fluid
1	3/8"G	3/8"G	10	300	Hydraulic Oil
2	3/8"G	3/8"G	10	300	Hydraulic Oil



Distributore rotante 02 vie
Swivel joint 02 ways

Item code
D060020100



POS.	Statore Stator	Rotore Rotor	DN (mm)	Pressione max a 12RPM (bar) Max pressure at 12RPM (bar)	Fluido Fluid
1	3/8"G	3/8"G	10	420	Hydraulic Oil
2	3/8"G	3/8"G	10	420	Hydraulic Oil