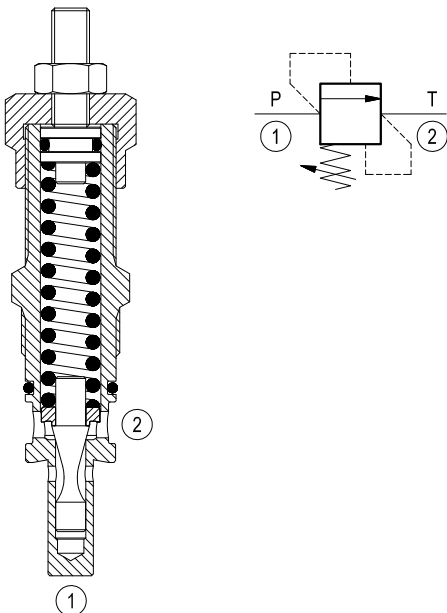


Relief, direct acting guided poppet type

Special cavity, 009

VS-80

04.11.05 - X - 99 - Z



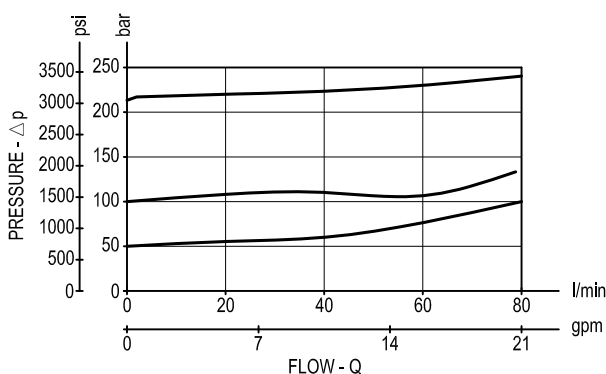
Description

Flow is blocked from 1 to 2 until pressure increases to meet the selected valve setting, lifting the poppet from its seat and allowing relief flow through 2 to tank. Pressure at 2 is additive to the relief setting of the valve. The unique Bosch Rexroth Oil Control poppet design provides enhanced stability at all flows and pressures.

Technical data

Max. operating pressure port 1 (P)	bar (psi)	250 (3600)
Max. operating pressure port 2 (T)	bar (psi)	140 (2000)
Max. flow	l/min. (gpm)	80 (21)
Max. internal leakage (*)	drops/min.	15
Fluid temperature range	°C (°F)	-30 to 100 (-22 to 212)
Installation torque	Nm (ft-lbs)	83-92 (61-68)
Weight	kg (lbs)	0.35 (0.77)
Special cavity		009, see data sheet RE 18325-75
Seal kit (**)	code material no.	RG0009010000100 R930001694
Fluids		Mineral-based or synthetics with lubricating properties at viscosities of 10 to 500 mm ² /s (cSt)
Filtration		Nominal value max. 10µm (NAS 8) ISO 4406 19/17/14
Installation		No restrictions
Other Technical Data		See data sheet RE 18350-50

Performance

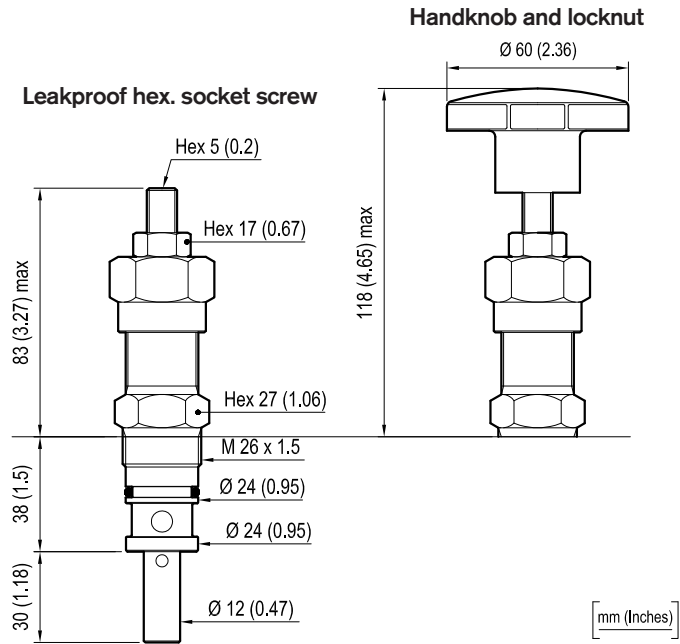


(*) at 80% of pressure setting

(**) Only external seals for 10 valves

Dimensions

OPTION
 Tamper resistant cap
 ordering code **11.04.23.003**
 Mat. no. **R930000754**



Ordering code

04.11.05	X	99	Z	00	*
----------	---	----	---	----	---

Series 0/A to L
 unchanged performances and dimensions

Relief, direct acting guided poppet type

Adjustments

= 03 Leakproof hex. socket screw

= 04 Handknob and locknut

Special cavity, 009

Version and options standard

SPRINGS			
	Adj. press. range bar (psi)	Pressure increase bar/turn (psi/turn)	Std. setting bar (psi) (Q=5 l/min)
= 05	5-50 (75-725) (*)	6 (87)	50 (725)
= 10	30-100 (435-1450)	12 (174)	100 (1450)
= 20	80-250 (1160-3600)	27 (392)	200 (2900)

Note: Special settings available. Contact factory authorized representative for ordering code
 (*) minimum pressure setting intended with Q=5 l/min (1.3 gpm)

Type	Material number
041105039905000	R930000117
041105039910000	R930000119
041105039920000	R901113620
041105049910000	R930000121
041105049920000	R930000122

Type	Material number