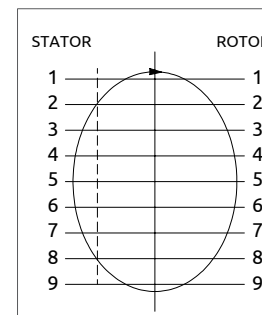
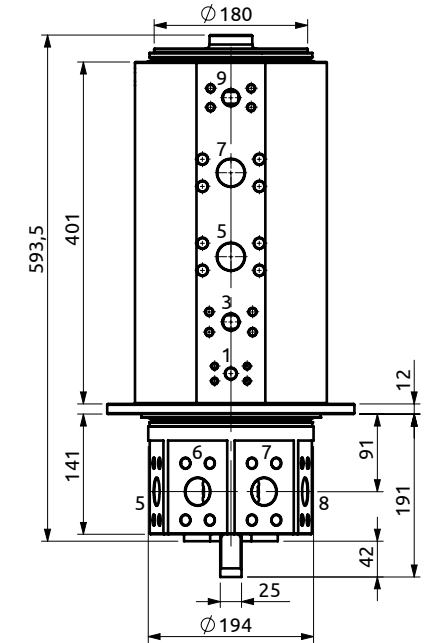
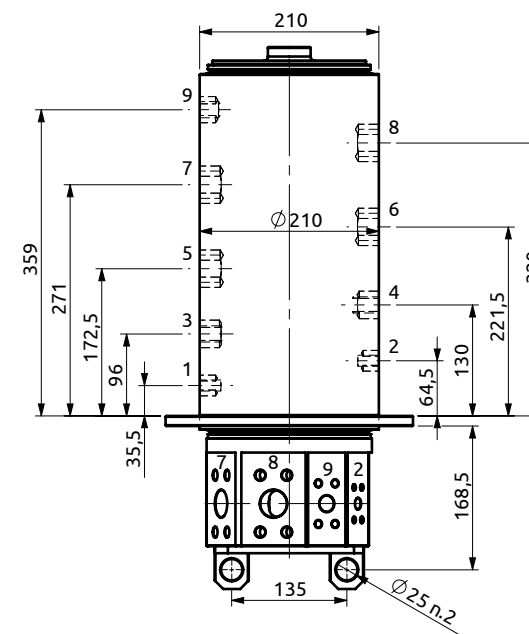
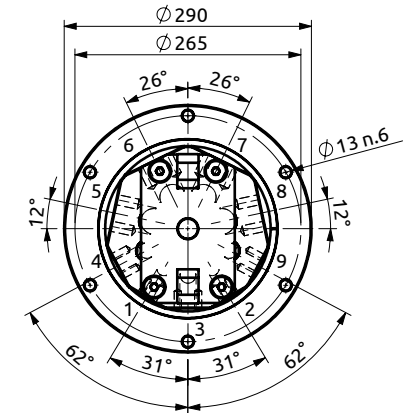


POS.	Statore Stator	Rotore Rotor	DN (mm)	Pressione max a 12RPM (bar) Max pressure at 12RPM (bar)	Fluido Fluid
1	1"SAE 6000	1"SAE 6000	25	340	Hydraulic Oil
2	1"SAE 6000	1"SAE 6000	25	340	Hydraulic Oil
3	1"SAE 6000	1"SAE 6000	25	340	Hydraulic Oil
4	1"SAE 6000	1"SAE 6000	25	340	Hydraulic Oil
5	1"G	1"G	22	340	Hydraulic Oil
6	1"G	1"G	22	340	Hydraulic Oil
7	1/2"G	1/2"G	12	340	Hydraulic Oil
8	1/2"G	1/2"G	12	100	Hydraulic Oil
9	1"1/4G	1"1/4G	25	100	Hydraulic Oil



POS.	Statore Stator	Rotore Rotor	DN (mm)	Pressione max a 12RPM (bar) Max pressure at 12RPM (bar)	Fluido Fluid
1	3/4" SAE 3000	1/2" SAE 3000	16	320	Hydraulic Oil
2	1/2" SAE 3000	1/2" SAE 3000	16	320	Hydraulic Oil
3	3/4" SAE 6000	3/4" SAE 6000	18	320	Hydraulic Oil
4	3/4" SAE 6000	3/4" SAE 6000	18	320	Hydraulic Oil
5	1" 1/4 SAE 6000	1" 1/4 SAE 6000	30	320	Hydraulic Oil
6	1" 1/4 SAE 6000	1" 1/4 SAE 6000	30	320	Hydraulic Oil
7	1" 1/4 SAE 6000	1" 1/4 SAE 6000	30	320	Hydraulic Oil
8	1" 1/4 SAE 6000	1" 1/4 SAE 6000	30	320	Hydraulic Oil
9	3/4" SAE 3000	3/4" SAE 3000	18	50	Drain