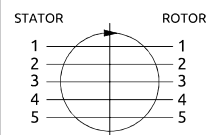
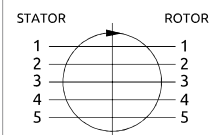
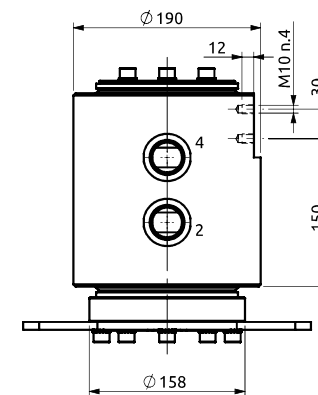
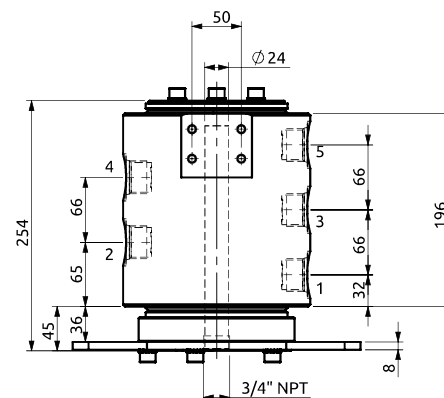
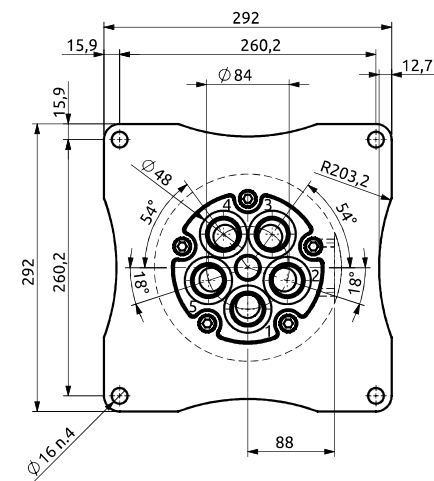


- stelo e camicia sono in acciaio inox
- rod and housing are in stainless steel



POS.	Statore Stator	Rotore Rotor	DN (mm)	Pressione max a 12RPM (bar) Max pressure at 12RPM (bar)	Fluido Fluid
1	1"1/4G (n.2)	1"1/4G (n.2)	30	300	Water
2	3/8"G	3/8"G	10	400	Hydraulic Oil
3	3/8"G	3/8"G	10	400	Hydraulic Oil
4	3/8"G	3/8"G	10	400	Hydraulic Oil
5	3/8"G	3/8"G	10	400	Hydraulic Oil



POS.	Statore Stator	Rotore Rotor	DN (mm)	Pressione max a 12RPM (bar) Max pressure at 12RPM (bar)	Fluido Fluid
1	1"5/16-12 UN	1"5/16-12 UN	20	300	Hydraulic Oil
2	1"5/16-12 UN	1"5/16-12 UN	10	300	Hydraulic Oil
3	1"5/16-12 UN	1"5/16-12 UN	10	300	Hydraulic Oil
4	1"5/16-12 UN	1"5/16-12 UN	10	300	Hydraulic Oil
5	1"5/16-12 UN	1"5/16-12 UN	10	300	Hydraulic Oil