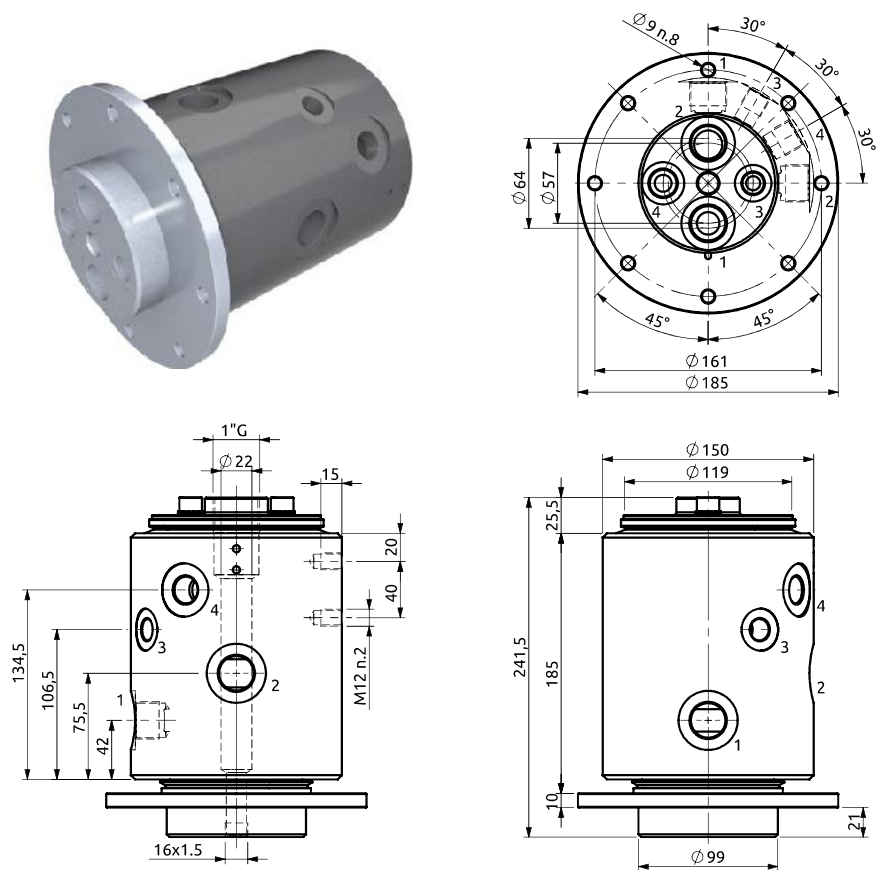




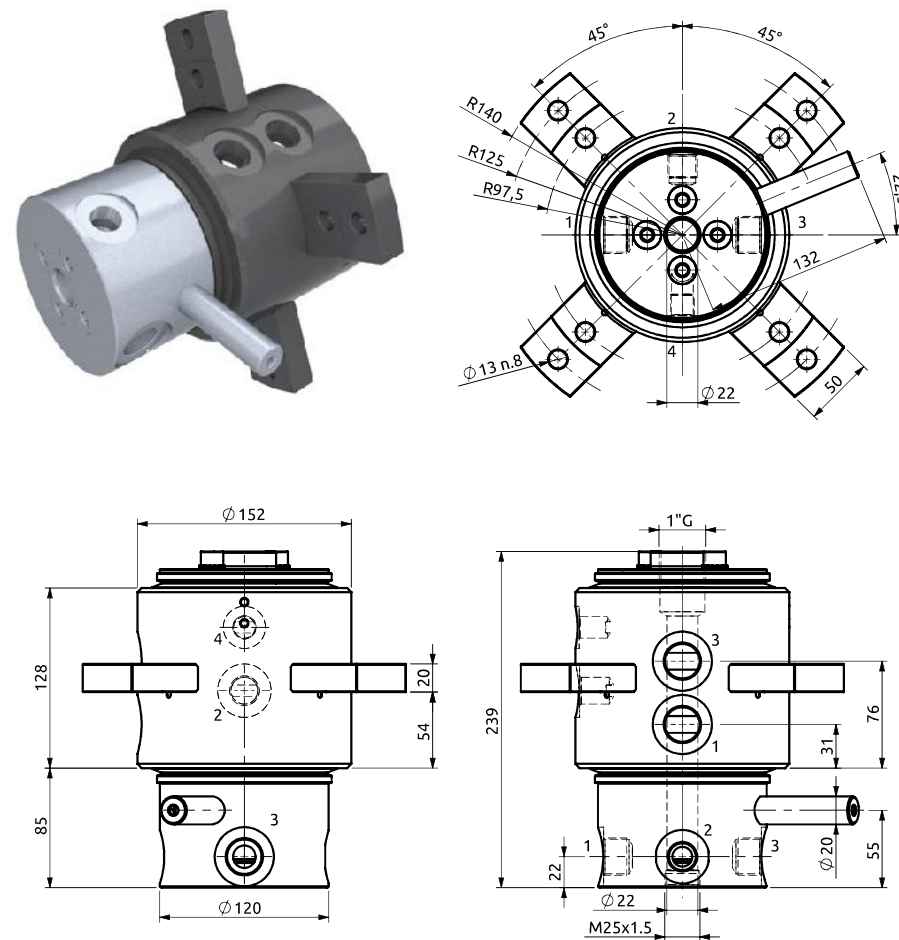
Distributore rotante 04 vie
Swivel joint 04 ways

Item code
D085040200

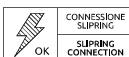
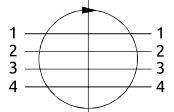


Distributore rotante 04 vie
Swivel joint 04 ways

Item code
D085040400

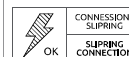
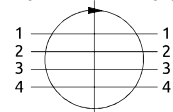


STATOR ROTOR



POS.	Statore Stator	Rotore Rotor	DN (mm)	Pressione max a 12RPM (bar) Max pressure at 12RPM (bar)	Fluido Fluid
1	3/4"G	3/4"G	16	300	Hydraulic Oil
2	3/4"G	3/4"G	20	300	Hydraulic Oil
3	3/8"G	3/8"G	10	300	Hydraulic Oil
4	1/2"G	1/2"G	12	300	Hydraulic Oil

STATOR ROTOR



POS.	Statore Stator	Rotore Rotor	DN (mm)	Pressione max a 12RPM (bar) Max pressure at 12RPM (bar)	Fluido Fluid
1	3/4"G	3/4"G	16	300	Hydraulic Oil
2	1/2"G	1/2"G	16	300	Hydraulic Oil
3	3/4"G	3/4"G	16	300	Hydraulic Oil
4	3/8"G	3/8"G	16	300	Hydraulic Oil