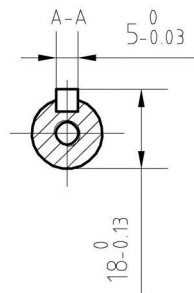
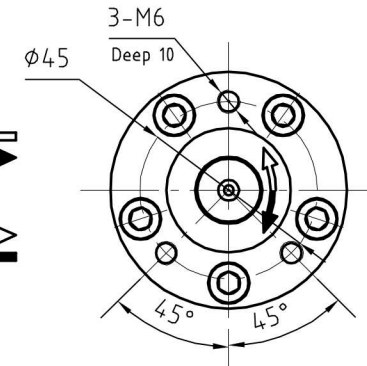
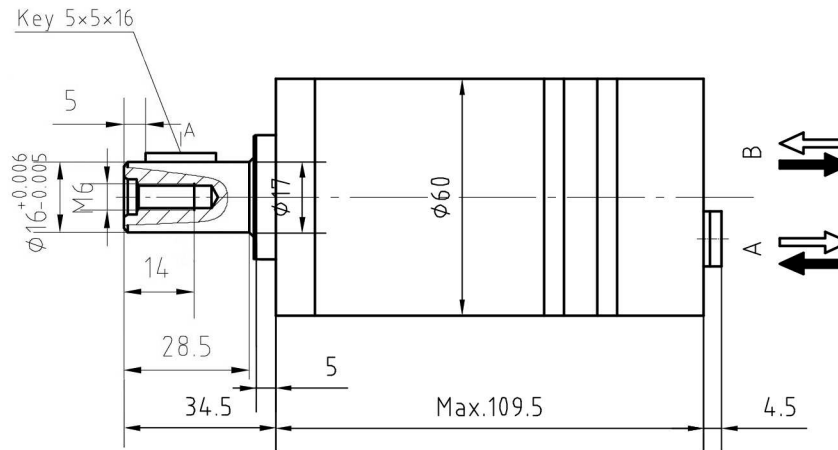
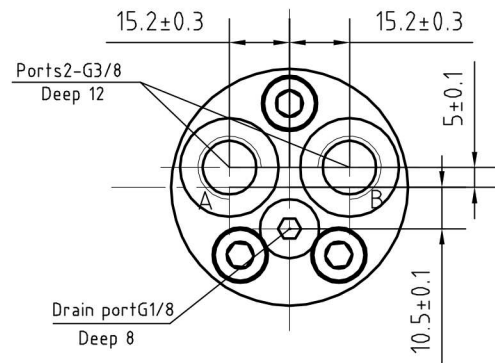
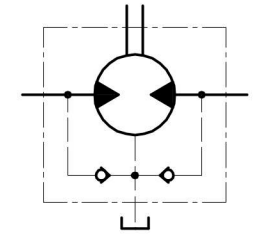


Standard Rotation
Viewed from Shaft End

Port A Pressurized-CW
Port B Pressurized-CCW



Displacement(ml/r) 19.9
 Max.cont.Pressure drop(bar) 100
 Max.cont.torque(N.m) 25
 Max.flow(L/min) 20
 Max.speed(r/min) 1005
 Max.Output.Power(Kw) 2.4

Rev.	Description	Date	2023/05/08
		DESIGNED BY	WSH
		CHECK BY	HGJ

THOTH

DESCRIPTION

BMM-20P1CY1

Do not try to interpret the technical drawing, please contact us if you are in any doubt about it.

REPRODUCTION NOT PERMITTED ALL RIGHT RESERVED