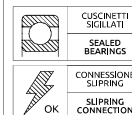
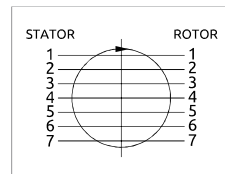
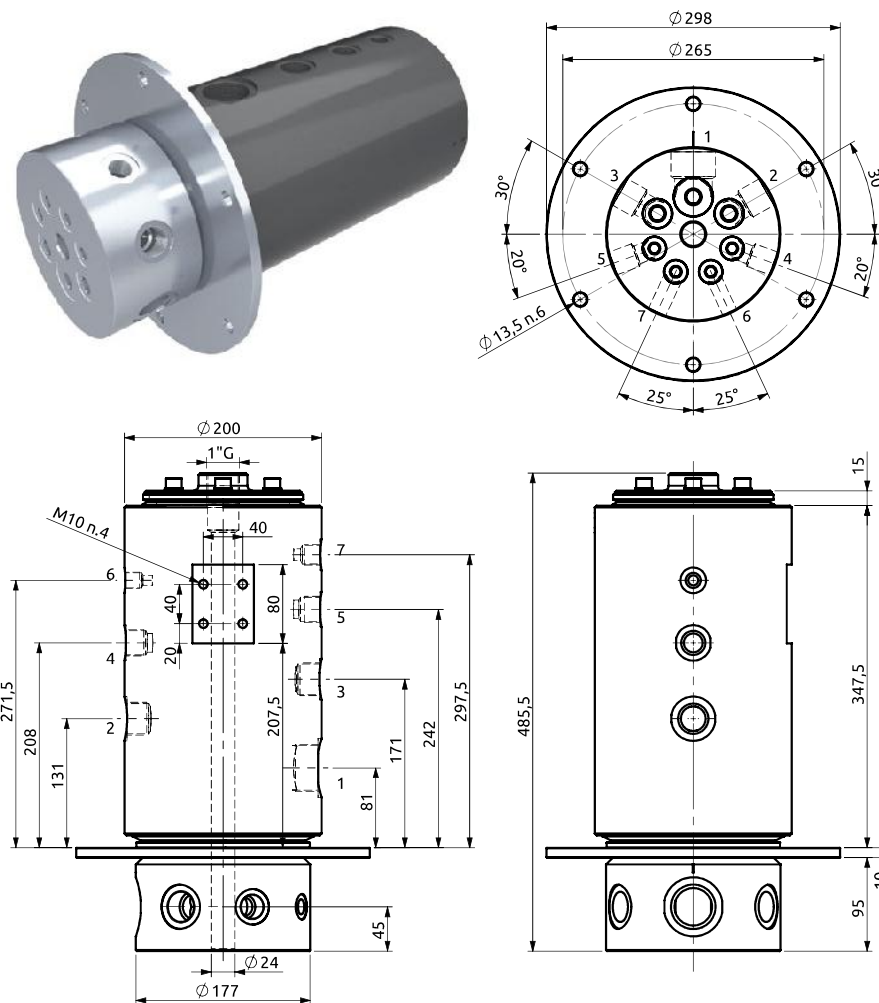


POS.	Statore Stator	Rotore Rotor	DN (mm)	Pressione max a 12RPM (bar) Max pressure at 12RPM (bar)	Fluido Fluid
1	1/2" G	1/2" G	18	380	Hydraulic Oil
2	1/2" G	1/2" G	18	380	Hydraulic Oil
3	1/2" G	1/2" G	18	380	Hydraulic Oil
4	1" SAE 6000	1" SAE 6000	25	380	Hydraulic Oil
5	1" SAE 6000	1" SAE 6000	25	380	Hydraulic Oil
6	1" SAE 6000	1" SAE 6000	25	380	Hydraulic Oil
7	1" SAE 6000	1" SAE 6000	25	380	Hydraulic Oil



POS.	Statore Stator	Rotore Rotor	DN (mm)	Pressione max a 12RPM (bar) Max pressure at 12RPM (bar)	Fluido Fluid
1	1" 1/2 G	1" 1/2 G	36	300	Hydraulic Oil
2	1" G	1" G	25	300	Hydraulic Oil
3	1" G	1" G	25	300	Hydraulic Oil
4	3/4" G	3/4" G	19	300	Hydraulic Oil
5	3/4" G	3/4" G	19	300	Hydraulic Oil
6	3/8" G	3/8" G	10	300	Hydraulic Oil
7	1/2" G	1/2" G	12	300	Hydraulic Oil