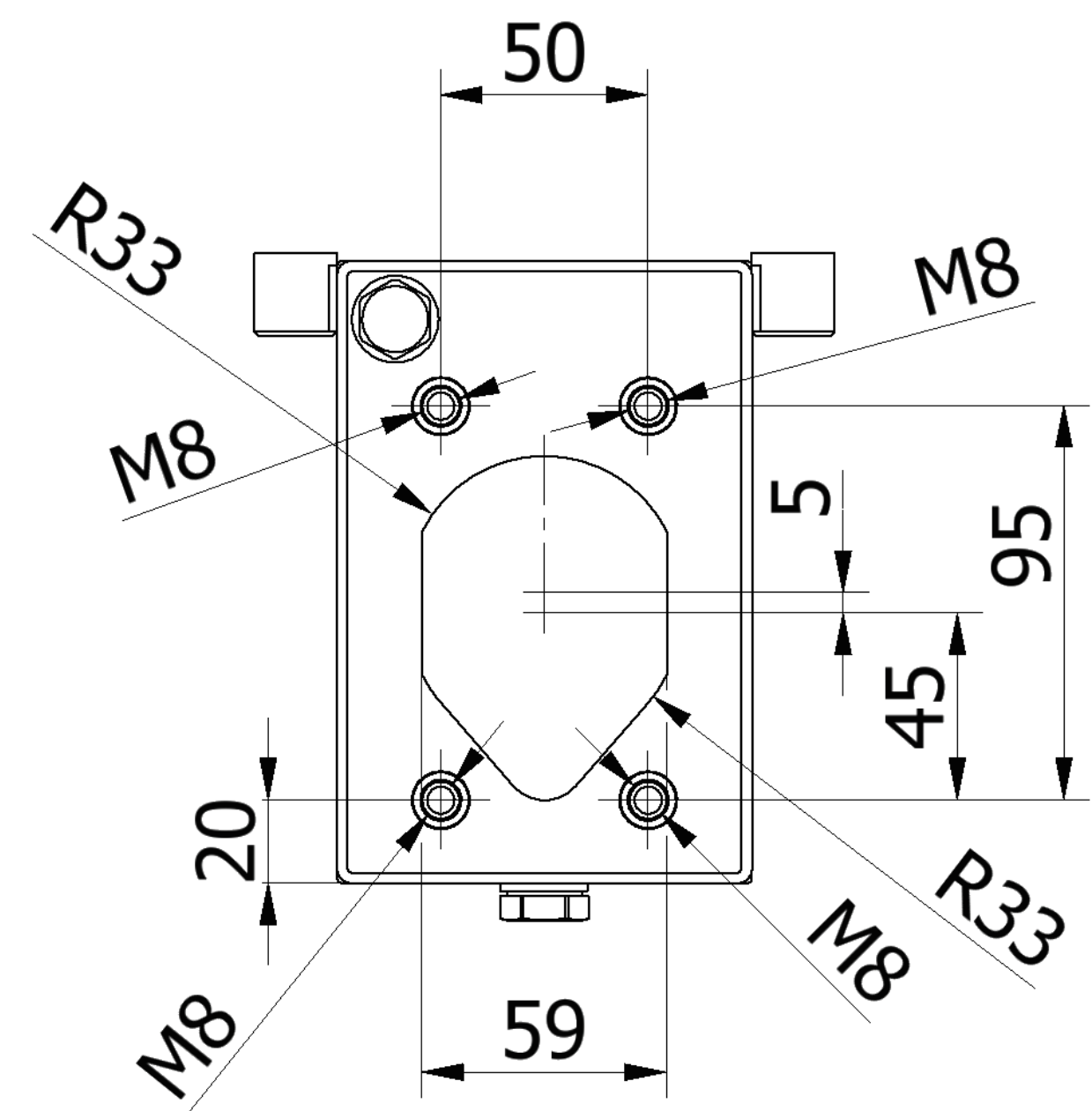
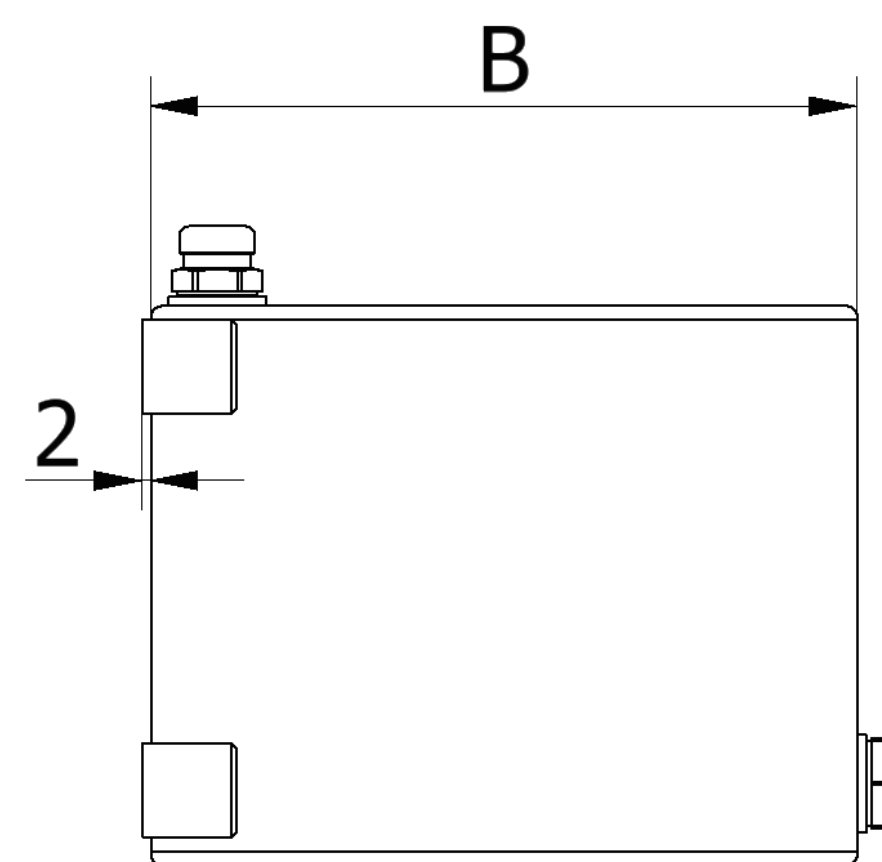
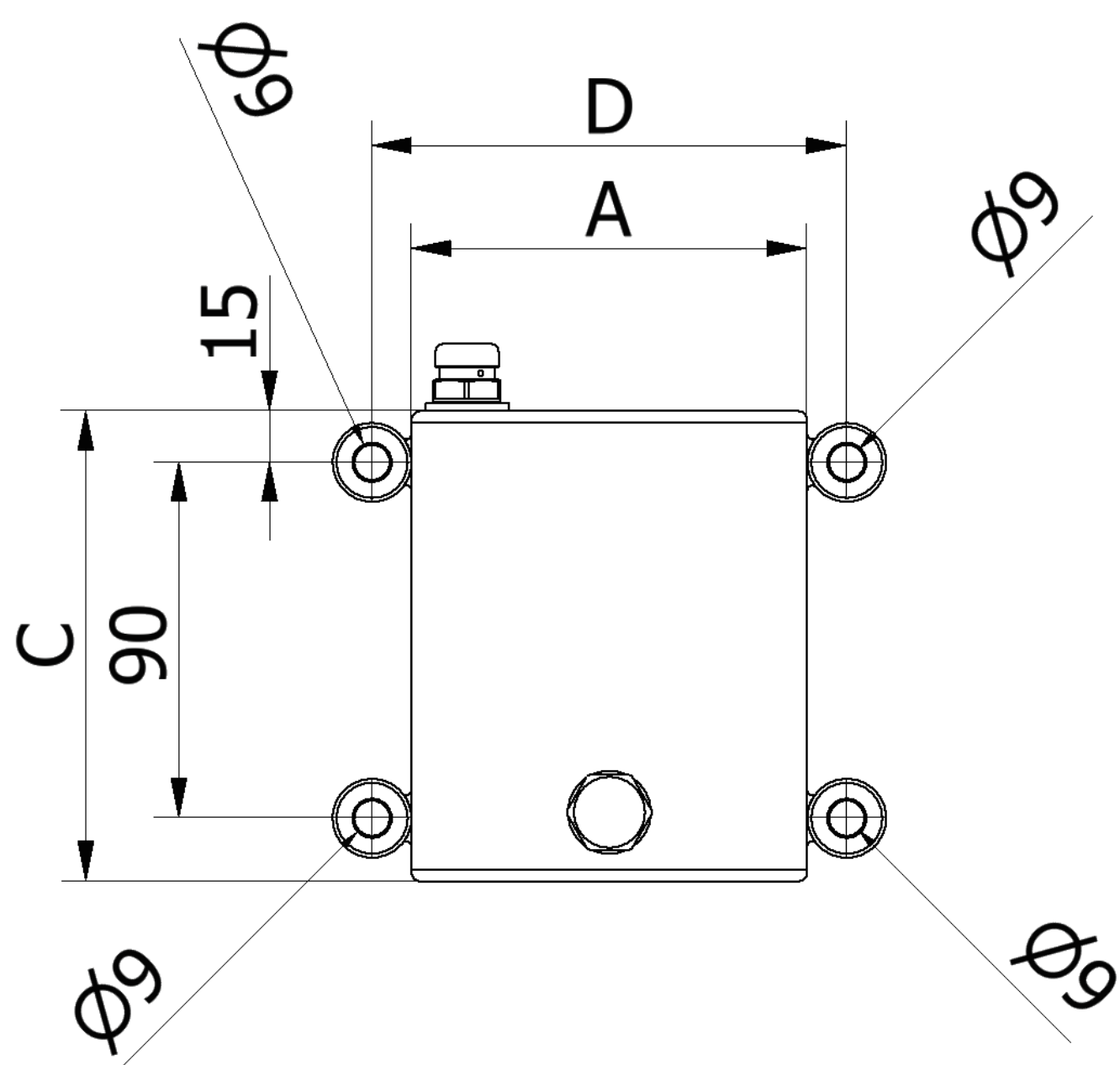
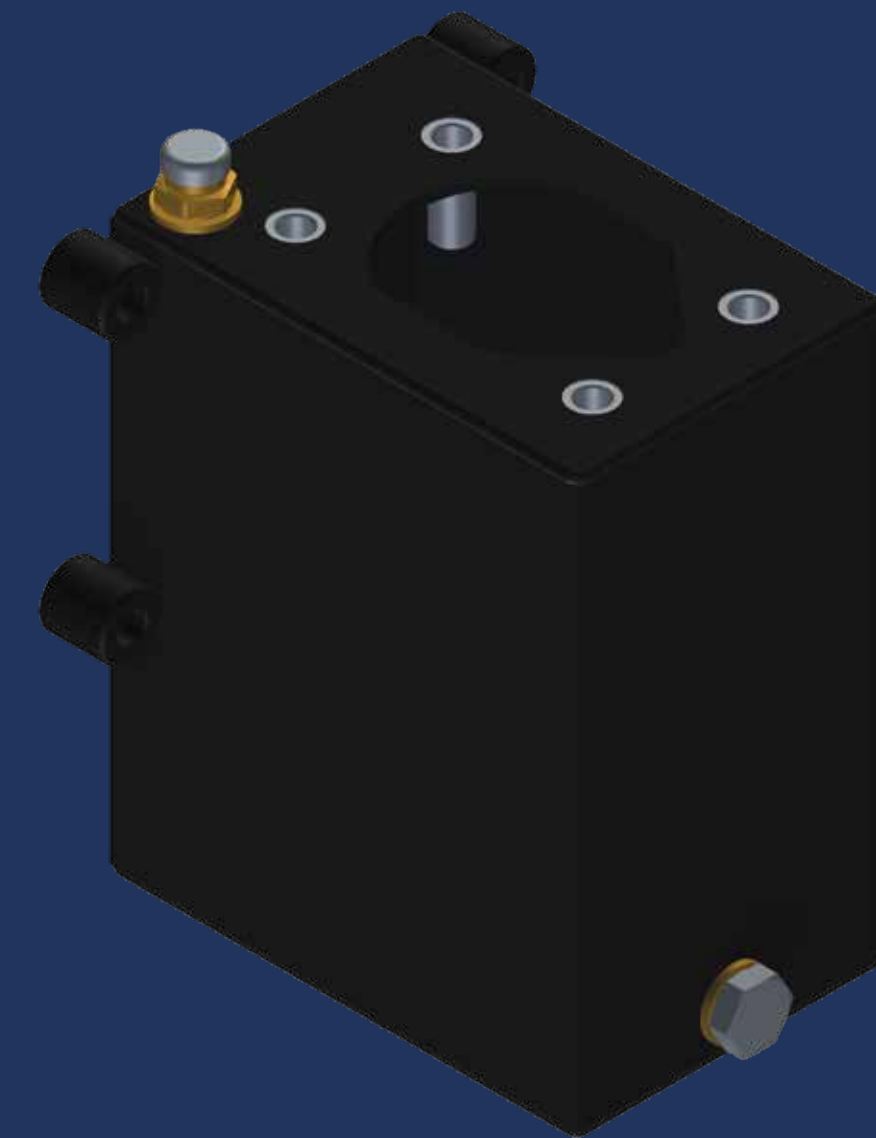


**DETAILS**

Painted steel oil tank for hand pumps lt. 2

**SPECIFICATIONS**

Model S2 ac 100x150x185  
Suction pipe included  
Breather cap 1/4 G  
Release cap 1/4 G  
Standard colour black



CAPACITY liters	A mm	B mm	C mm	D mm	MASS KG	SUCTION PIPE	CODE
2	100	150	185	120	3,000	Ø10x114 mm	6500.0141