

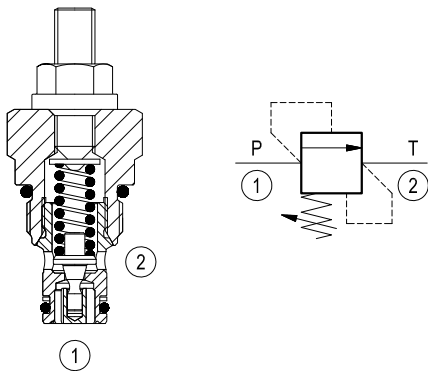
Relief, direct acting guided poppet type

Common cavity, Size 08



VSBN-08A

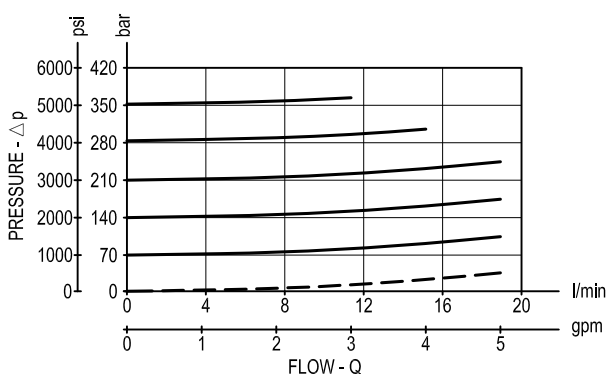
04.11.49 - X - 56 - Z



Description

Flow is blocked from 1 to 2 until pressure increases to meet the selected valve setting, lifting the poppet from its seat and allowing relief flow through port 2 to tank. Pressure at port 2 is additive to the relief setting of the valve. The unique Bosch Rexroth Oil Control poppet design provides enhanced stability at all flows and pressures.

Performance



Technical data

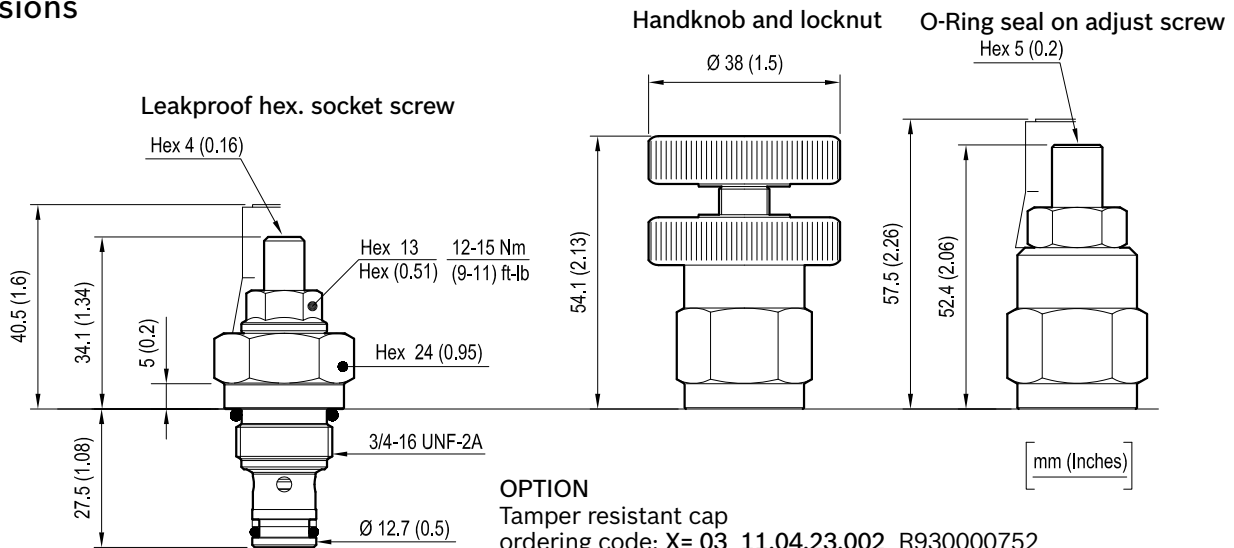
Max. operating pressure port 1 (P)	bar (psi)	350 (5000)
Max. pressure admitted port 2 (T)	bar (psi)	140 (2000)
Max. flow	l/min. (gpm)	20 (5.3)
Max. internal leakage (*)	drops/min.	15
Fluid temperature range	°C (°F)	-30 to 100 (-22 to 212)
Installation torque	Nm (ft-lbs)	34-41 (25-30)
Weight (**)	kg (lbs)	0.09 (0.2)
Cavity		CA-08A-2N see data sheet RE 18325-70
Seal kit (***)	code material no.	RG08A2010520100 R901101437
Fluids		Mineral-based or synthetics with lubricating properties at viscosities of 10 to 500 mm ² /s (cSt)
Filtration		Nominal value max. 10µm (NAS 8) ISO 4406 19/17/14
Installation		No restrictions
Other general technical data		See data sheet RE 18350-50

(*) Max. to 80% of nominal setting

(**) Standard version X=03 type

(***) Only external seals for 10 valves

Dimensions



Ordering code

04.11.49	X	56	Z	00	*
----------	---	----	---	----	---

Series 0/A to L
unchanged performances and dimensions

Version and options standard

Relief, direct acting guided poppet type

Adjustments

- = 03 Leakproof hex.socket screw
- = 04 Handknob and locknut
- = 73 O-Ring seal on adjust screw

Common cavity, size 08

		SPRINGS		
		Adj. pressure range bar (psi)	Pres. increase bar/turn (psi/turn)	Std. setting bar (psi) Q=5 l/min
for X=03	= 05	10-70 (*) (145-1000)	26 (375)	50 (725)
	= 10	35-140 (500-2000)	50 (725)	100 (1450)
	= 20	105-210 (1500-3000)	79 (1145)	200 (2900)
	= 35	175-350 (2500-5000)	170 (2465)	350 (5000)
for X=04	= 35	35-350 (500-5000)	72 (1044)	200 (2900)
for X=73	= 35	35-350 (500-5000)	72 (1044)	200 (2900)

Note: Special settings available. Contact factory authorized representative for ordering code
(*) minimum pressure setting intended with Q=5 l/min (1.3 gpm)

Type	Material number
041149035605000	R901113598
041149035610000	R901113599
041149035620000	R901097728
041149035635000	R901091914
041149045635000	R901113600

Type	Material number
041149735635000	R901113601