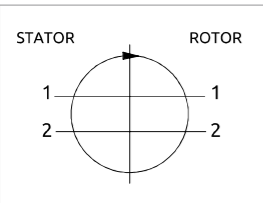
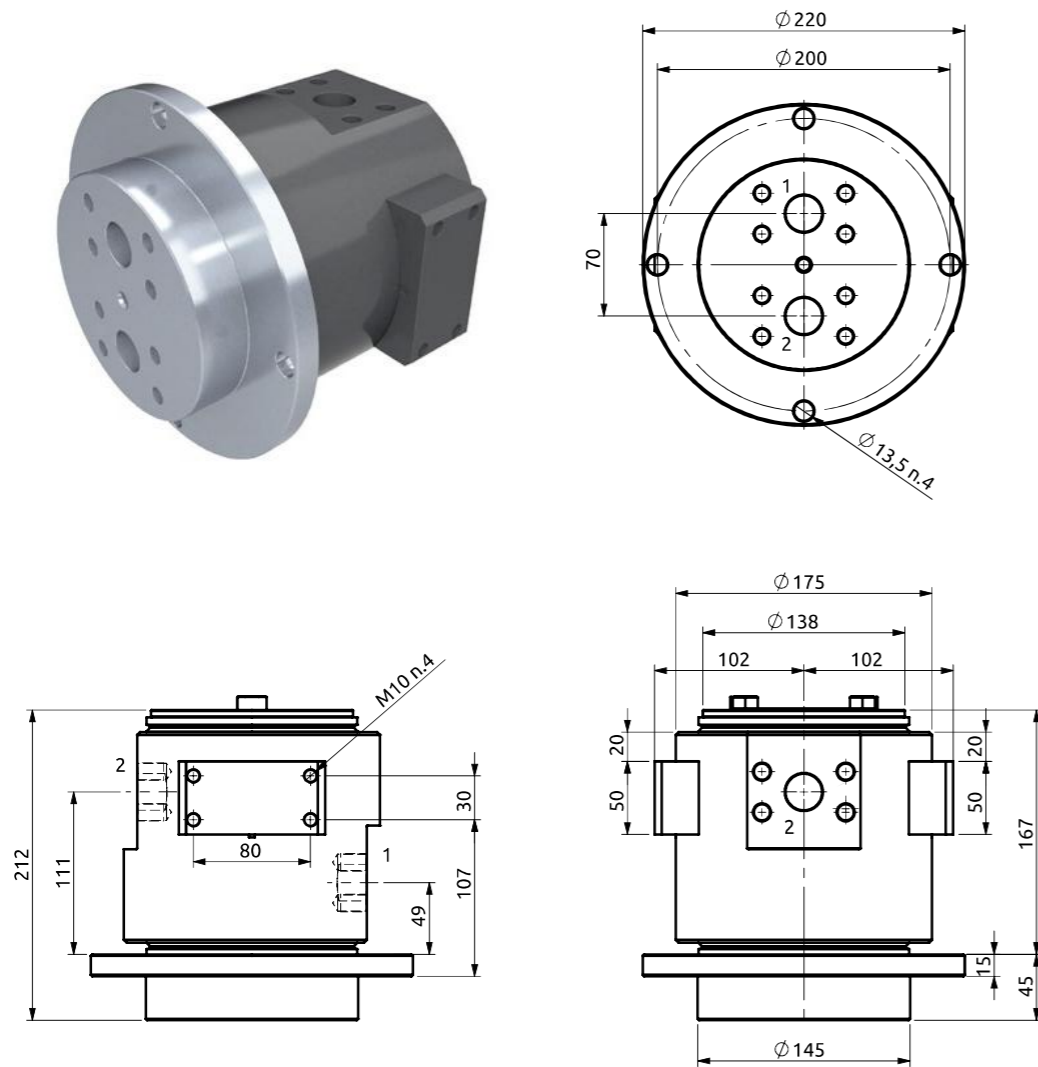




Distributore rotante 02 vie  
Swivel joint 02 ways

Item code  
D10502000

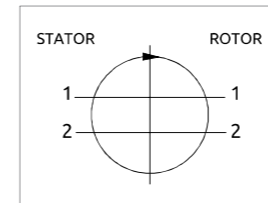
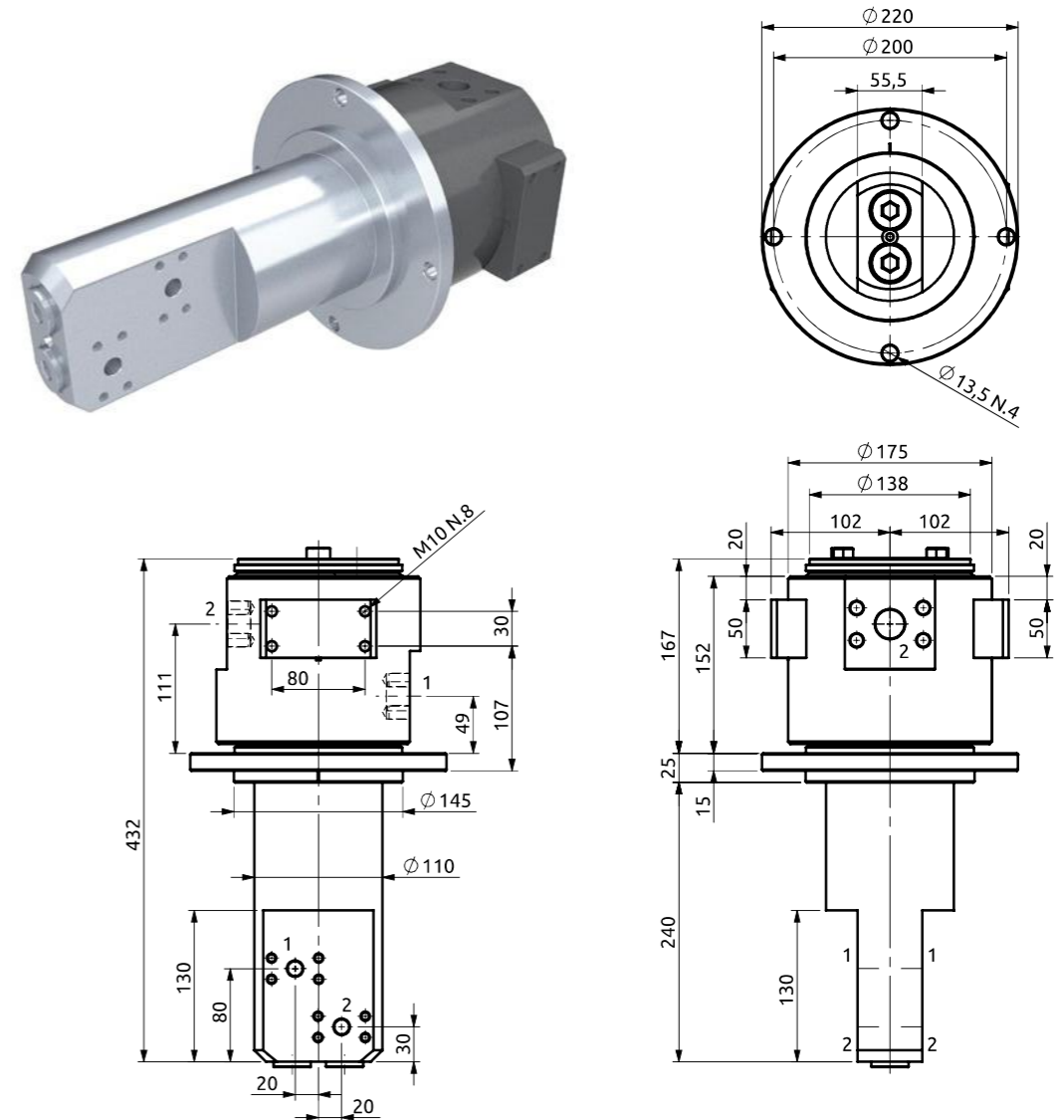


POS.	Statore Stator	Rotore Rotor	DN (mm)	Pressione max a 12RPM (bar) Max pressure at 12RPM (bar)	Fluido Fluid
1	1"SAE 6000	1"SAE 6000	25	420	Hydraulic Oil
2	1"SAE 6000	1"SAE 6000	25	420	Hydraulic Oil



Distributore rotante 02 vie  
Swivel joint 02 ways

Item code  
D105020100



POS.	Statore Stator	Rotore Rotor	DN (mm)	Pressione max a 12RPM (bar) Max pressure at 12RPM (bar)	Fluido Fluid
1	n.2 1/2"SAE 6000	1"SAE 6000	20	420	Hydraulic Oil
2	n.2 1/2"SAE 6000	1"SAE 6000	20	420	Hydraulic Oil