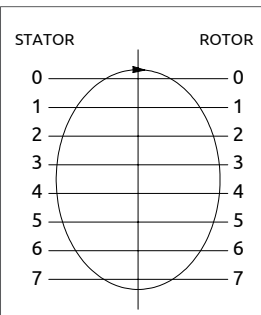
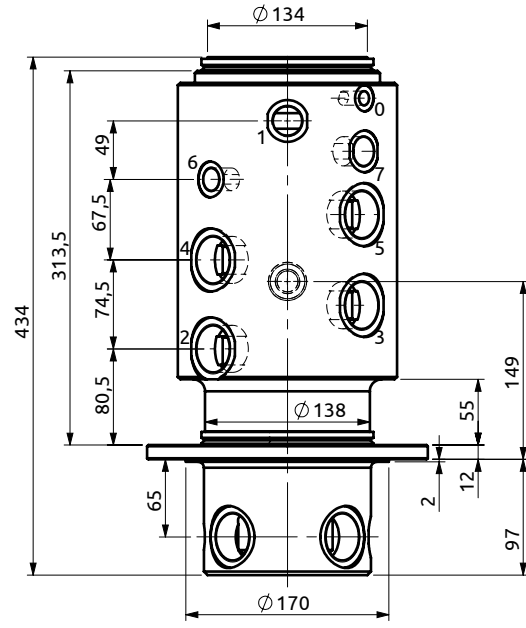
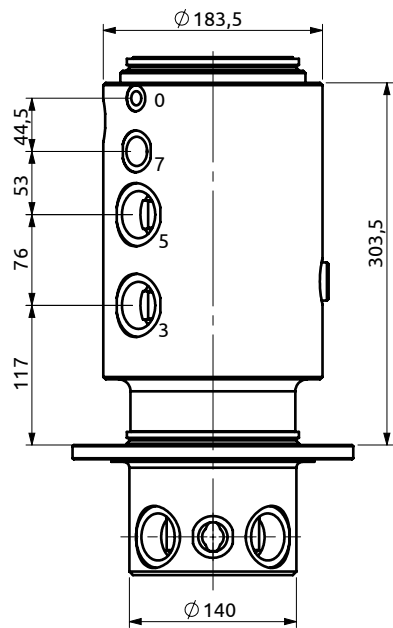
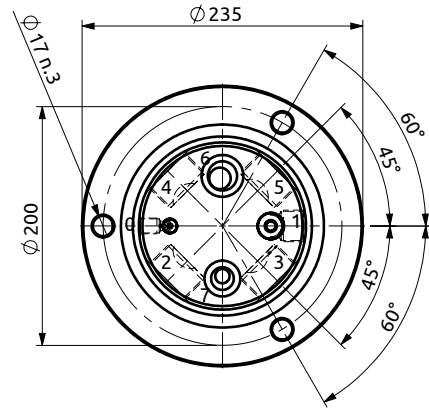




Distributore rotante 08 vie
Swivel joint 08 ways

Item code
D110080600

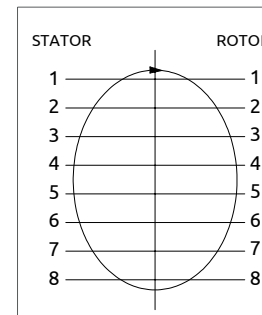
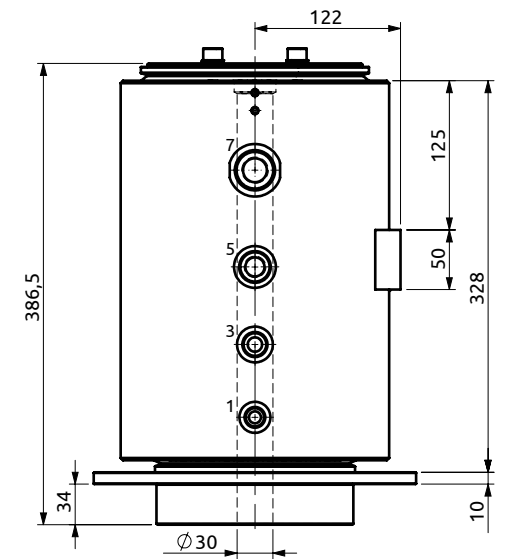
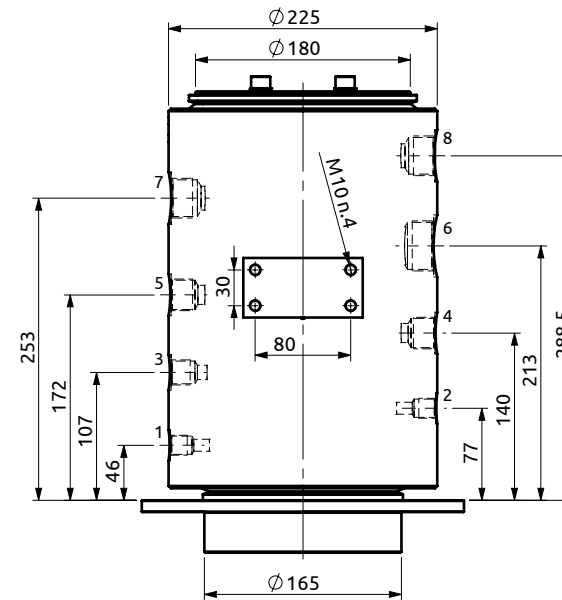
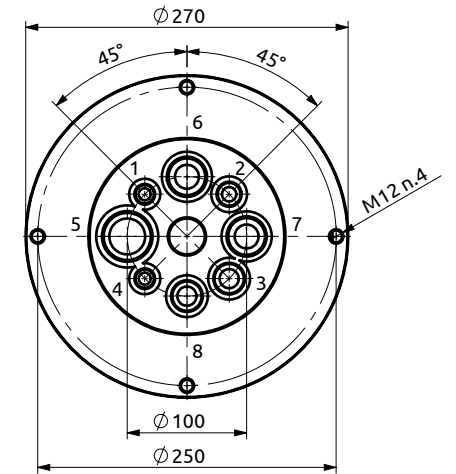


| POS. | Statore Stator | Rotore Rotor | DN (mm) | Pressione max a 12RPM (bar) Max pressure at 12RPM (bar) | Fluido Fluid |
|------|-------------------|-----------------|------------|--|-----------------|
| 0 | 1/4"G | 1/4"G | 6 | 50 | Hydraulic Oil |
| 1 | 3/4"G | 3/4"G | 18 | 35 | Hydraulic Oil |
| 2 | 1"1/4 G | 1"1/4 G | 30 | 400 | Hydraulic Oil |
| 3 | 1"1/4 G | 1"1/4 G | 30 | 400 | Hydraulic Oil |
| 4 | 1"1/4 G | 1"1/4 G | 30 | 400 | Hydraulic Oil |
| 5 | 1"1/4 G | 1"1/4 G | 30 | 400 | Hydraulic Oil |
| 6 | 1/2"G | 1/2"G | 12 | 400 | Hydraulic Oil |
| 7 | 3/4"G | 3/4"G | 18 | 400 | Hydraulic Oil |



Distributore rotante 08 vie
Swivel joint 08 ways

Item code
D145080100



| POS. | Statore Stator | Rotore Rotor | DN (mm) | Pressione max a 12RPM (bar) Max pressure at 12RPM (bar) | Fluido Fluid |
|------|-------------------|-----------------|------------|--|-----------------|
| 1 | 3/8"G | 3/8"G | 10 | 350 | Hydraulic Oil |
| 2 | 3/8"G | 3/8"G | 10 | 350 | Hydraulic Oil |
| 3 | 1/2"G | 1/2"G | 12 | 350 | Hydraulic Oil |
| 4 | 3/4"G | 3/4"G | 16 | 350 | Hydraulic Oil |
| 5 | 3/4"G | 3/4"G | 16 | 350 | Hydraulic Oil |
| 6 | 1"1/4 G | 1"1/4 G | 30 | 350 | Hydraulic Oil |
| 7 | 1"G | 1"G | 20 | 350 | Hydraulic Oil |
| 8 | 1"G | 1"G | 20 | 350 | Hydraulic Oil |