



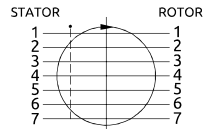
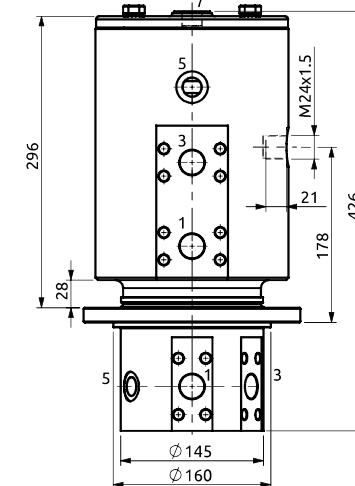
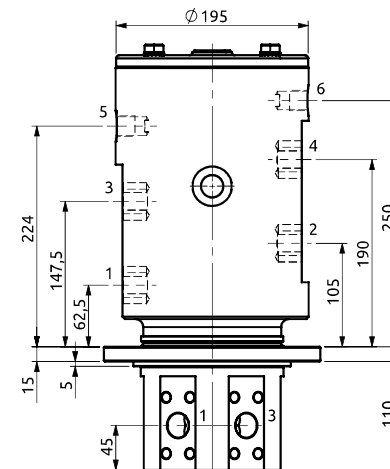
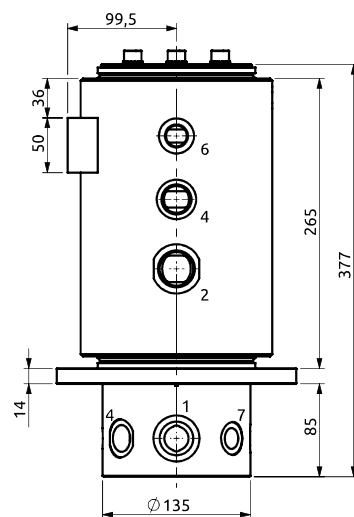
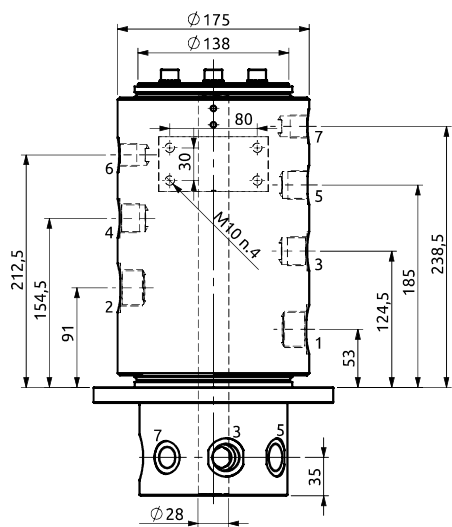
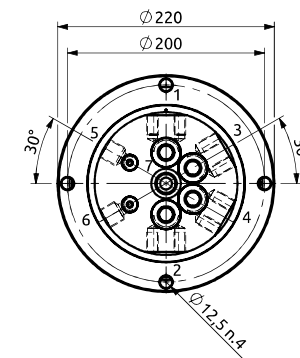
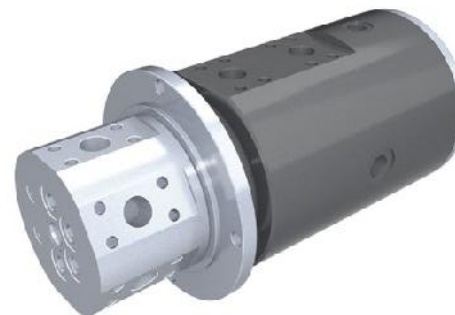
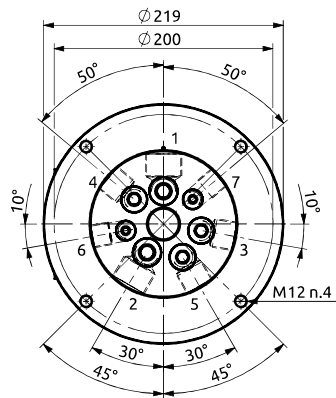
Distributore rotante 07 vie  
Swivel joint 07 ways

Item code  
D100070200

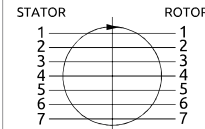


Distributore rotante 07 vie  
Swivel joint 07 ways

Item code  
D110070100



POS.	Statore Stator	Rotore Rotor	DN (mm)	Pressione max a 12RPM (bar) Max pressure at 12RPM (bar)	Fluido Fluid
1	1"G	1"G	22	380	Hydraulic Oil
2	1"G	1"G	22	380	Hydraulic Oil
3	3/4"G	3/4"G	18	380	Hydraulic Oil
4	3/4"G	3/4"G	18	380	Hydraulic Oil
5	3/4"G	3/4"G	18	380	Hydraulic Oil
6	1/2"G	1/2"G	14	380	Hydraulic Oil
7	1/2"G	1/2"G	14	30	Hydraulic Oil



POS.	Statore Stator	Rotore Rotor	DN (mm)	Pressione max a 12RPM (bar) Max pressure at 12RPM (bar)	Fluido Fluid
1	1" SAE 6000	1" SAE 6000	25	380	Hydraulic Oil
2	1" SAE 6000	1" SAE 6000	25	380	Hydraulic Oil
3	1" SAE 6000	1" SAE 6000	25	380	Hydraulic Oil
4	1" SAE 6000	1" SAE 6000	25	380	Hydraulic Oil
5	1/2"G	1/2"G	12	380	Hydraulic Oil
6	1/2"G	1/2"G	12	380	Hydraulic Oil
7	1/2"G	1/2"G	12	300	Hydraulic Oil