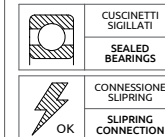
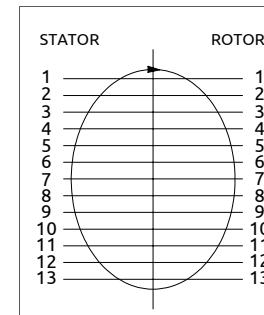
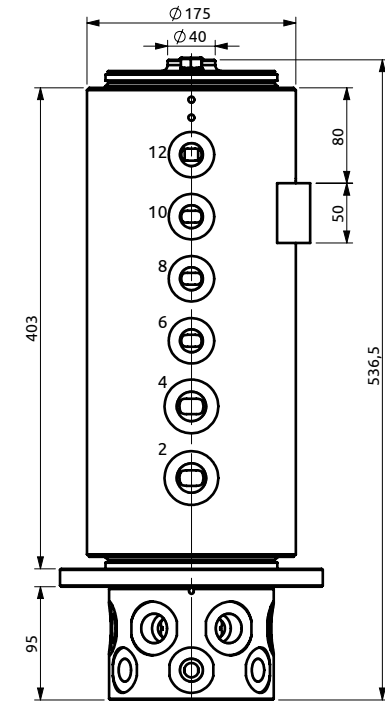
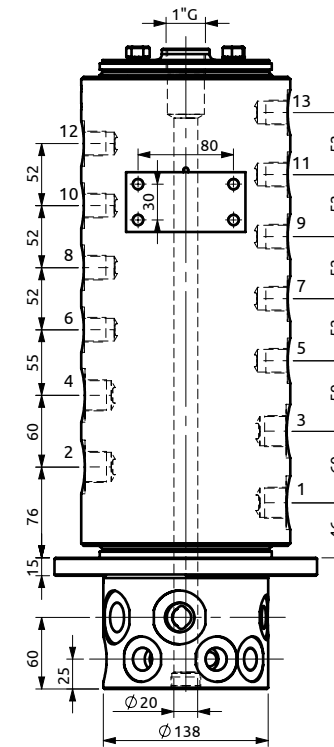
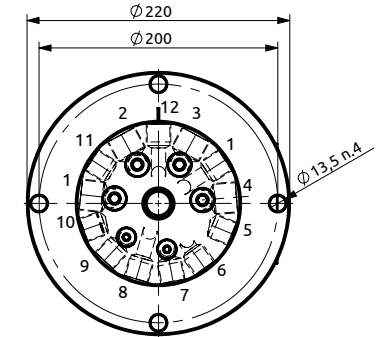
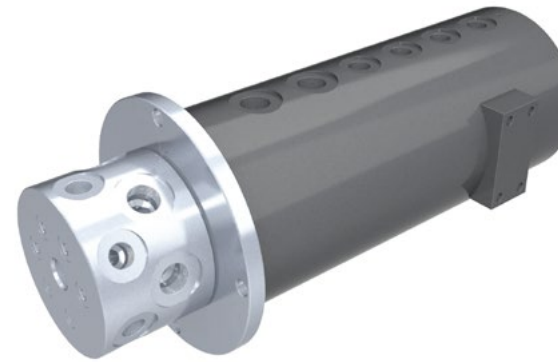


POS.	Statore Stator	Rotore Rotor	DN (mm)	Pressione max a 12RPM (bar) Max pressure at 12RPM (bar)	Fluido Fluid
1	3/4"G	3/4"G	16	50	Hydraulic Oil
2	1"1/2G	1"1/2G	32	350	Hydraulic Oil
3	1"1/4G	1"1/4G	30	350	Hydraulic Oil
4	1"1/4G	1"1/4G	30	350	Hydraulic Oil
5	1"1/4G	1"1/4G	30	350	Hydraulic Oil
6	1"1/4G	1"1/4G	30	350	Hydraulic Oil
7	1"G	1"G	22	350	Hydraulic Oil
8	1/2"G	1/2"G	12	350	Hydraulic Oil
9	1/2"G	1/2"G	12	350	Hydraulic Oil
10	1/2"G	1/2"G	12	350	Hydraulic Oil
11	1/2"G	1/2"G	12	350	Hydraulic Oil
12	1/2"G	1/2"G	12	50	Hydraulic Oil



POS.	Statore Stator	Rotore Rotor	DN (mm)	Pressione max a 12RPM (bar) Max pressure at 12RPM (bar)	Fluido Fluid
1	3/4"G	3/4"G	16	420	Hydraulic Oil
2	3/4"G	3/4"G	16	420	Hydraulic Oil
3	3/4"G	3/4"G	16	420	Hydraulic Oil
4	3/4"G	3/4"G	16	420	Hydraulic Oil
5	1/2"G	1/2"G	12	420	Hydraulic Oil
6	1/2"G	1/2"G	12	420	Hydraulic Oil
7	1/2"G	1/2"G	12	420	Hydraulic Oil
8	1/2"G	1/2"G	12	420	Hydraulic Oil
9	1/2"G	1/2"G	12	420	Hydraulic Oil
10	1/2"G	1/2"G	12	420	Hydraulic Oil
11	1/2"G	1/2"G	12	420	Hydraulic Oil
12	1/2"G	1/2"G	12	420	Hydraulic Oil
13	1/2"G	1/2"G	12	420	Hydraulic Oil