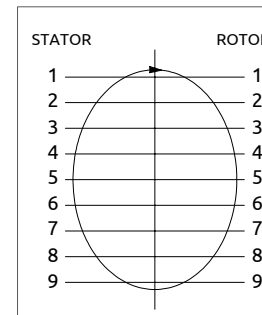
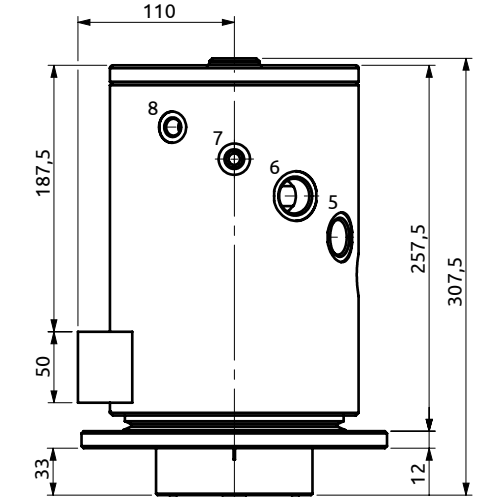
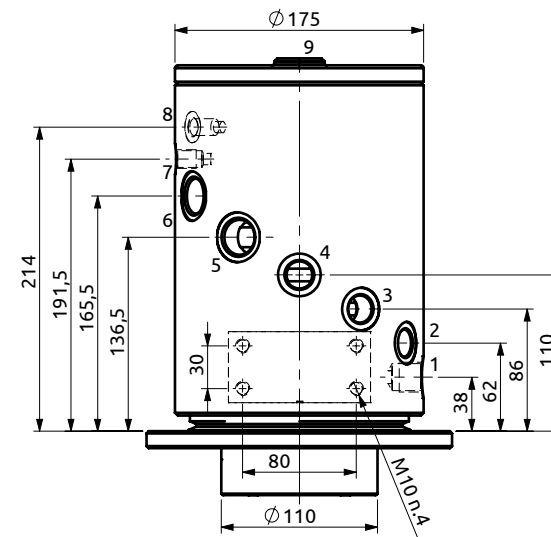
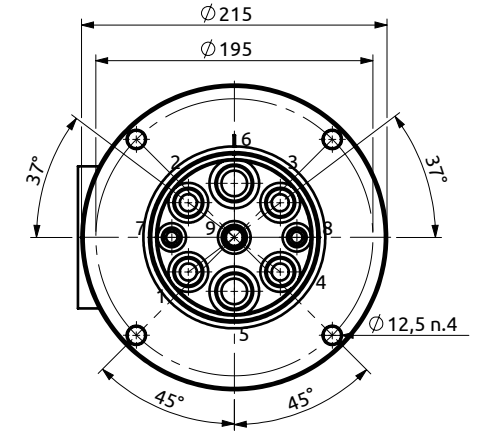


POS.	Statore Stator	Rotore Rotor	DN (mm)	Pressione max a 12RPM (bar) Max pressure at 12RPM (bar)	Fluido Fluid
1	3/4"G	3/4"G	19	300	Hydraulic Oil
2	1"G	1"G	25	300	Hydraulic Oil
3	1"G	1"G	25	300	Hydraulic Oil
4	1"G	1"G	25	300	Hydraulic Oil
5	1"G	1"G	25	300	Hydraulic Oil
6	1/2"G	1/2"G	12	300	Hydraulic Oil
7	1/2"G	1/2"G	12	300	Hydraulic Oil
8	1/2"G	1/2"G	12	300	Hydraulic Oil
9	3/4"G	3/4"G	19	300	Hydraulic Oil



POS.	Statore Stator	Rotore Rotor	DN (mm)	Pressione max a 12RPM (bar) Max pressure at 12RPM (bar)	Fluido Fluid
1	1/2"G	1/2"G	12	320	Hydraulic Oil
2	1/2"G	1/2"G	12	320	Hydraulic Oil
3	1/2"G	1/2"G	12	320	Hydraulic Oil
4	1/2"G	1/2"G	12	320	Hydraulic Oil
5	3/4"G	3/4"G	18	320	Hydraulic Oil
6	3/4"G	3/4"G	18	320	Hydraulic Oil
7	1/4"G	1/4"G	8	320	Hydraulic Oil
8	1/4"G	1/4"G	8	320	Hydraulic Oil
9	3/8"G	3/8"G	12	320	Hydraulic Oil