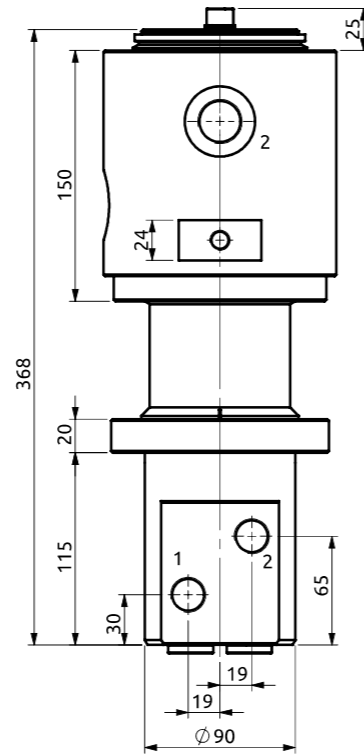
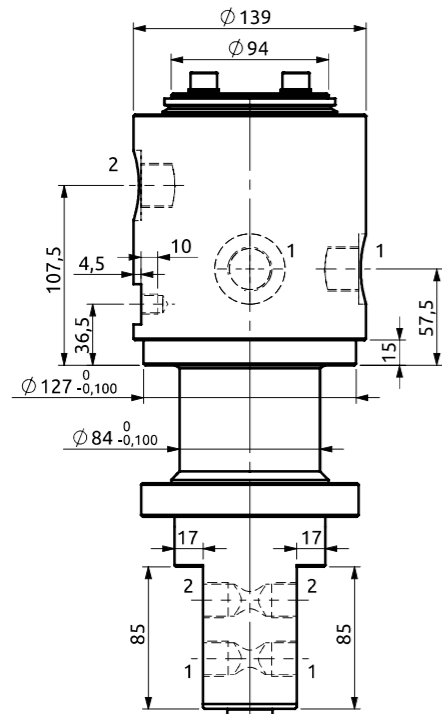
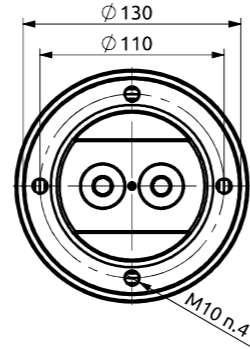


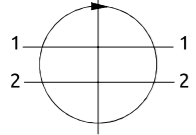


Distributore rotante 02 vie
Swivel joint 02 ways

Item code
D075020500



STATOR ROTOR

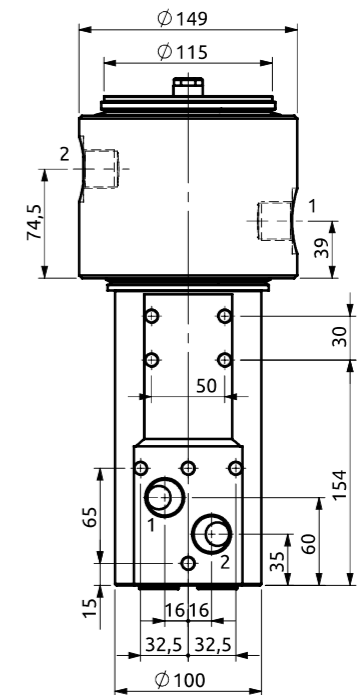
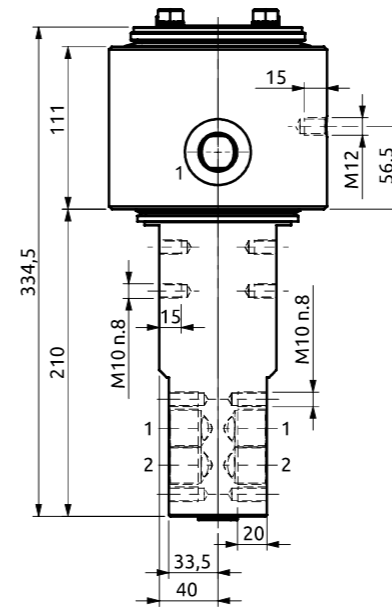
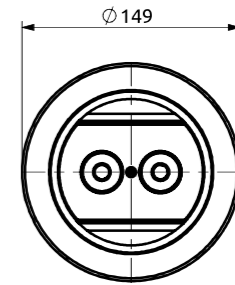


POS.	Statore Stator	Rotore Rotor	DN (mm)	Pressione max a 12RPM (bar) Max pressure at 12RPM (bar)	Fluido Fluid
1	n.2 1/2"G	n.2 3/4"G	19	420	Hydraulic Oil
2	n.2 1/2"G	3/4"G	19	420	Hydraulic Oil

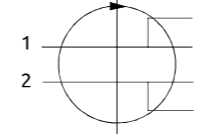


Distributore rotante 02 vie
Swivel joint 02 ways

Item code
D085020200



ROTOR STATOR



POS.	Statore Stator	Rotore Rotor	DN (mm)	Pressione max a 12RPM (bar) Max pressure at 12RPM (bar)	Fluido Fluid
1	3/4"G n.2	3/4"G	16	420	Hydraulic Oil
2	3/4"G n.2	3/4"G	16	420	Hydraulic Oil