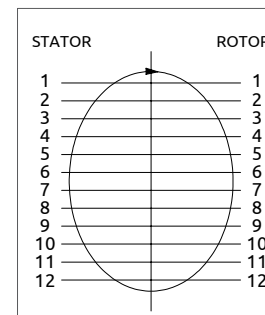
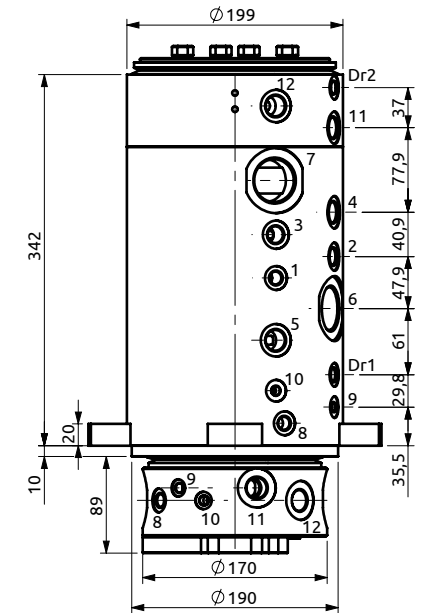
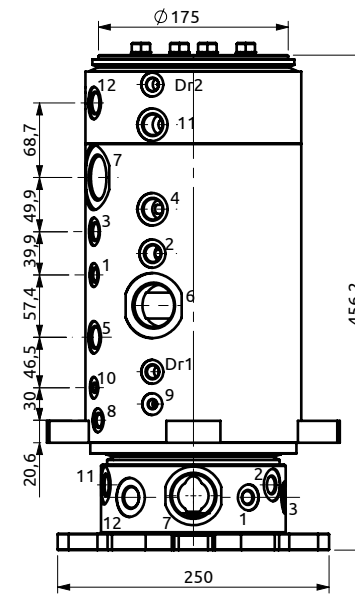
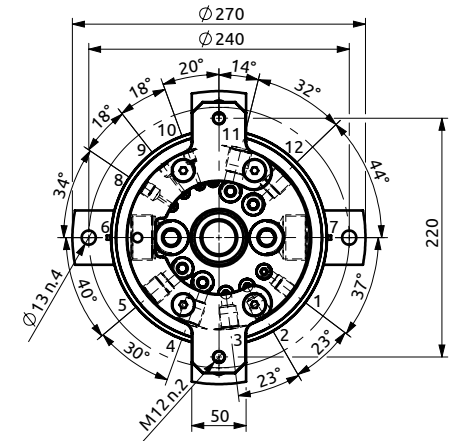
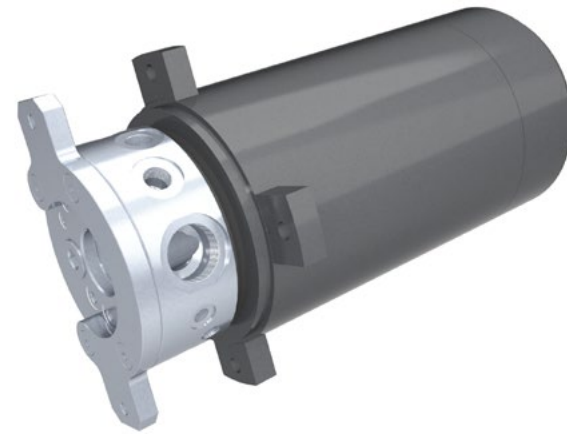


| POS. | Statore Stator | Rotore Rotor | DN (mm) | Pressione max a 12RPM (bar) Max pressure at 12RPM (bar) | Fluido Fluid |
|------|-------------------|-----------------|------------|--|-----------------|
| 1 | 1/2"G | 1/2"G | 12 | 350 | Hydraulic Oil |
| 2 | 1/2"G | 1/2"G | 12 | 350 | Hydraulic Oil |
| 3 | 3/4"G | 3/4"G | 19 | 350 | Hydraulic Oil |
| 4 | 3/4"G | 3/4"G | 19 | 350 | Hydraulic Oil |
| 5 | 3/4"G | 3/4"G | 19 | 350 | Hydraulic Oil |
| 6 | 3/4"G | 3/4"G | 19 | 350 | Hydraulic Oil |
| 7 | 3/4"G | 3/4"G | 19 | 350 | Hydraulic Oil |
| 8 | 3/4"G | 3/4"G | 19 | 350 | Hydraulic Oil |
| 9 | 3/4"G | 3/4"G | 19 | 350 | Hydraulic Oil |
| 10 | 3/4"G | 3/4"G | 19 | 350 | Hydraulic Oil |
| 11 | 1"G | 1"G | 25 | 350 | Hydraulic Oil |
| 12 | 1"G | 1"G | 25 | 350 | Hydraulic Oil |



| POS. | Statore Stator | Rotore Rotor | DN (mm) | Pressione max a 12RPM (bar) Max pressure at 12RPM (bar) | Fluido Fluid |
|------|-------------------|-----------------|------------|--|-----------------|
| 1 | 1/4"G | 1/4"G | 4 | 300 | Hydraulic Oil |
| 2 | M10x1 | M10x1 | 4 | 300 | Hydraulic Oil |
| 3 | M10x1 | M10x1 | 4 | 300 | Hydraulic Oil |
| 4 | 1/2"G | 1/2"G | 13 | 300 | Hydraulic Oil |
| 5 | 1"1/4G | 1"1/4G | 30 | 300 | Hydraulic Oil |
| 6 | 1/4"G | 1/4"G | 8 | 300 | Hydraulic Oil |
| 7 | 3/8"G | 3/8"G | 10 | 300 | Hydraulic Oil |
| 8 | 3/8"G | 3/8"G | 10 | 300 | Hydraulic Oil |
| 9 | 1/2"G | 1/2"G | 13 | 300 | Hydraulic Oil |
| 10 | 1"1/4G | 1"1/4G | 30 | 300 | Hydraulic Oil |
| 11 | 1"1/4G | 1"1/4G | 13 | 50 | Water |
| 12 | 1/2"G | 1/2"G | 13 | 50 | Water |