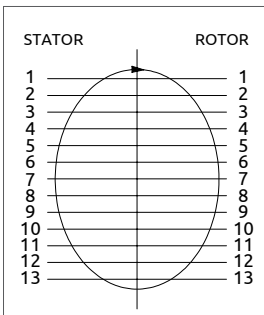
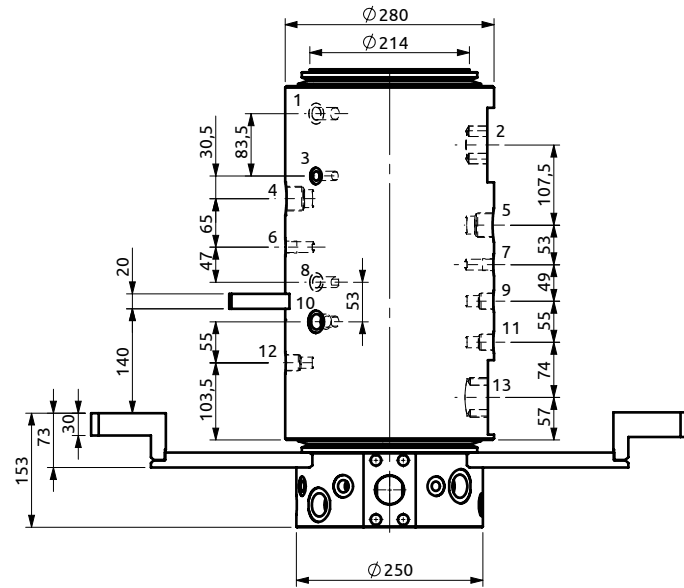
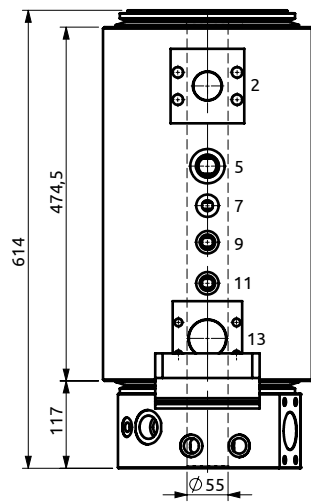
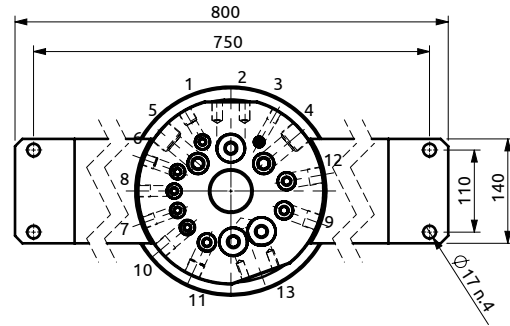




Distributore rotante 13 vie
Swivel joint 13 ways

Item code
D180130000

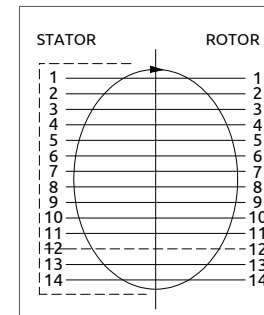
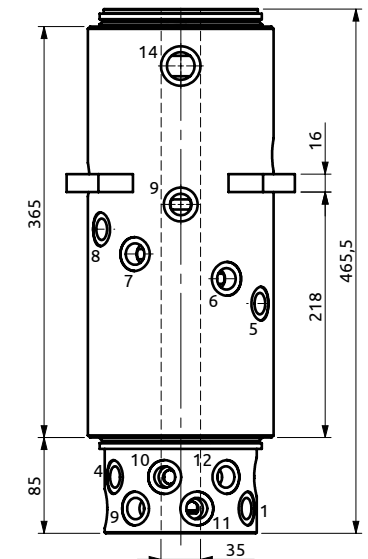
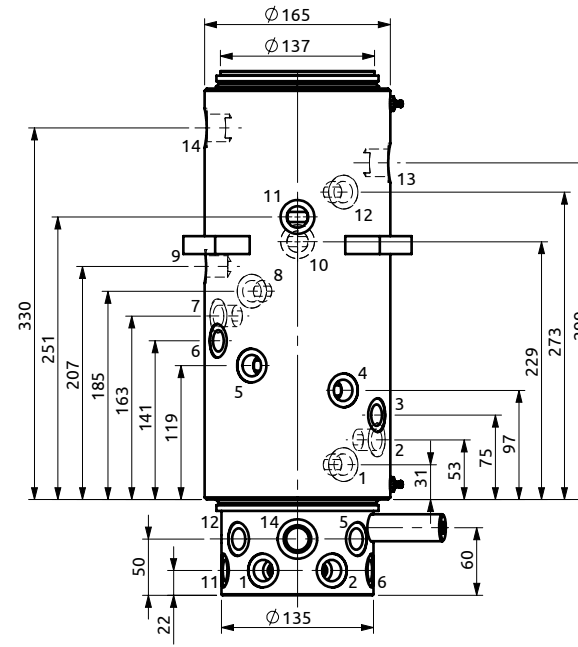
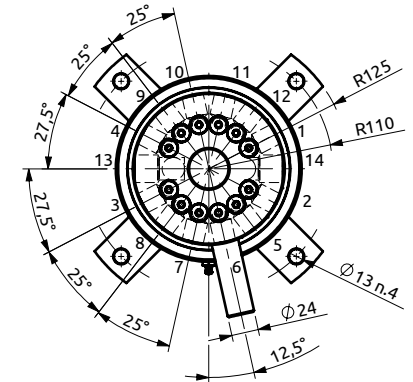


POS.	Statore Stator	Rotore Rotor	DN (mm)	Pressione max a 12RPM (bar) Max pressure at 12RPM (bar)	Fluido Fluid
1	M18x1.5	M18x1.5	15	300	Hydraulic Oil
2	1" 1/2 SAE 6000	1" 1/2 SAE 6000	36	300	Hydraulic Oil
3	M14x1.5	M14x1.5	10	300	Hydraulic Oil
4	M33x2	M33x2	18	300	Hydraulic Oil
5	M33x2	M33x2	18	300	Hydraulic Oil
6	M16x1.5	M16x1.5	15	300	Hydraulic Oil
7	M16x1.5	M16x1.5	15	300	Hydraulic Oil
8	M16x1.5	M16x1.5	15	300	Hydraulic Oil
9	M22x1.5	M22x1.5	20	300	Hydraulic Oil
10	M22x1.5	M22x1.5	15	300	Hydraulic Oil
11	M22x1.5	M22x1.5	18	300	Hydraulic Oil
12	M22x1.5	M22x1.5	18	300	Hydraulic Oil
13	2" SAE 6000	2" SAE 6000	50	300	Hydraulic Oil



Distributore rotante 14 vie
Swivel joint 14 ways

Item code
D100140100



POS.	Statore Stator	Rotore Rotor	DN (mm)	Pressione max a 12RPM (bar) Max pressure at 12RPM (bar)	Fluido Fluid
1	1/2"G	1/2"G	12	350	Hydraulic Oil
2	1/2"G	1/2"G	12	350	Hydraulic Oil
3	1/2"G	1/2"G	12	350	Hydraulic Oil
4	1/2"G	1/2"G	12	350	Hydraulic Oil
5	1/2"G	1/2"G	12	350	Hydraulic Oil
6	1/2"G	1/2"G	12	350	Hydraulic Oil
7	1/2"G	1/2"G	12	350	Hydraulic Oil
8	1/2"G	1/2"G	12	350	Hydraulic Oil
9	1/2"G	1/2"G	12	350	Hydraulic Oil
10	1/2"G	1/2"G	12	350	Hydraulic Oil
11	1/2"G	1/2"G	12	350	Hydraulic Oil
12	1/2"G	1/2"G	12	50	Drain
13	3/4"G	3/4"G	20	350	Hydraulic Oil
14	3/4"G	3/4"G	20	350	Hydraulic Oil