

Tanks

S15 (175x175)

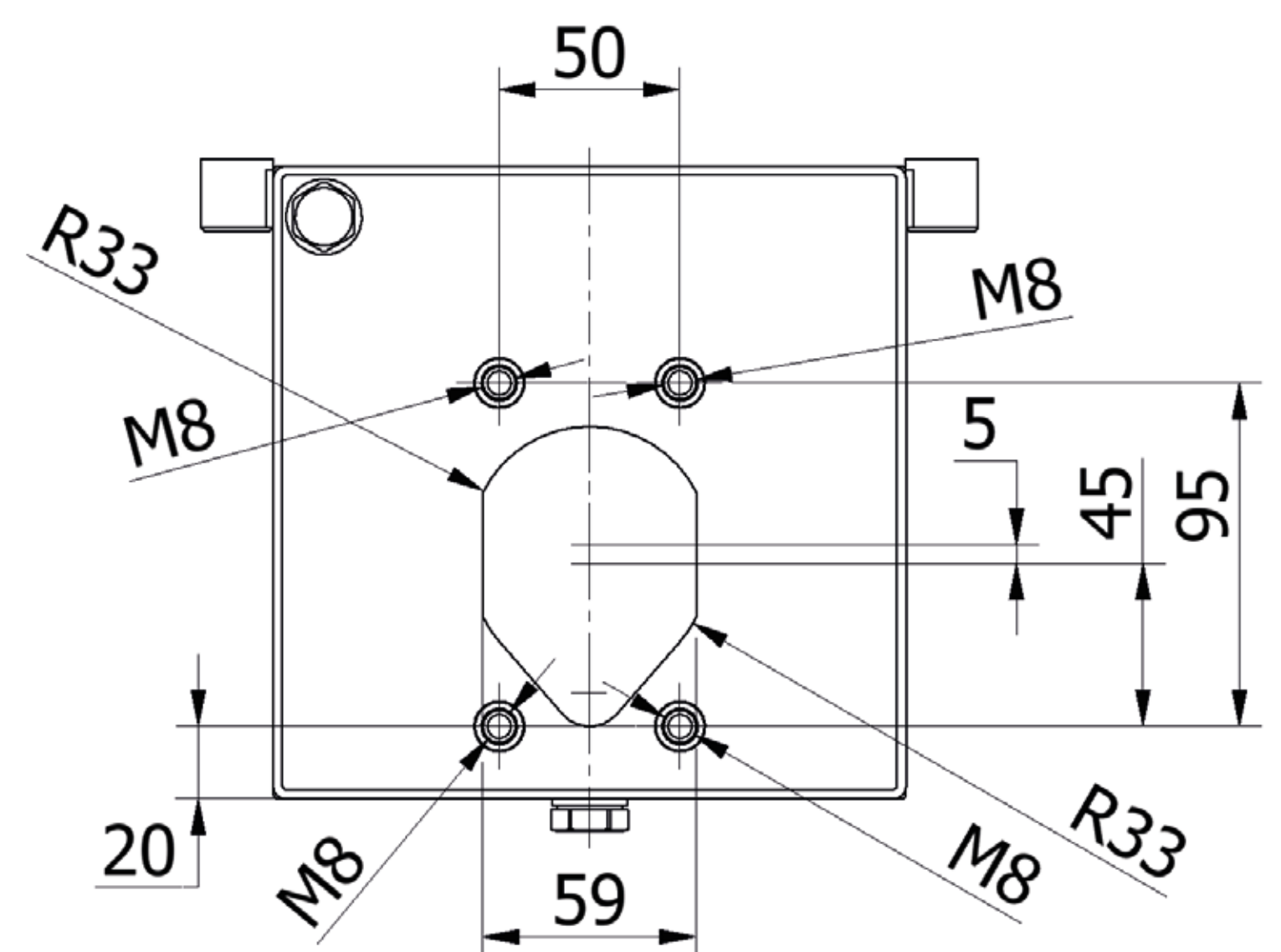
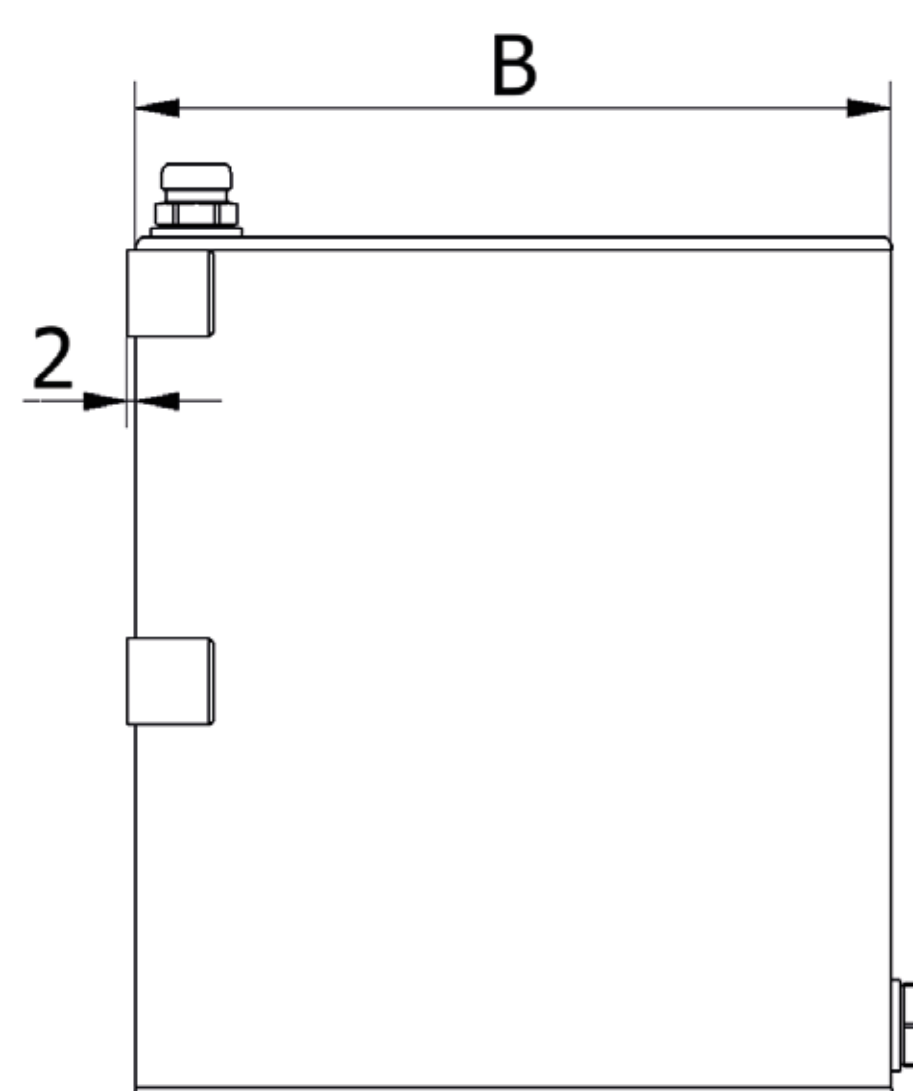
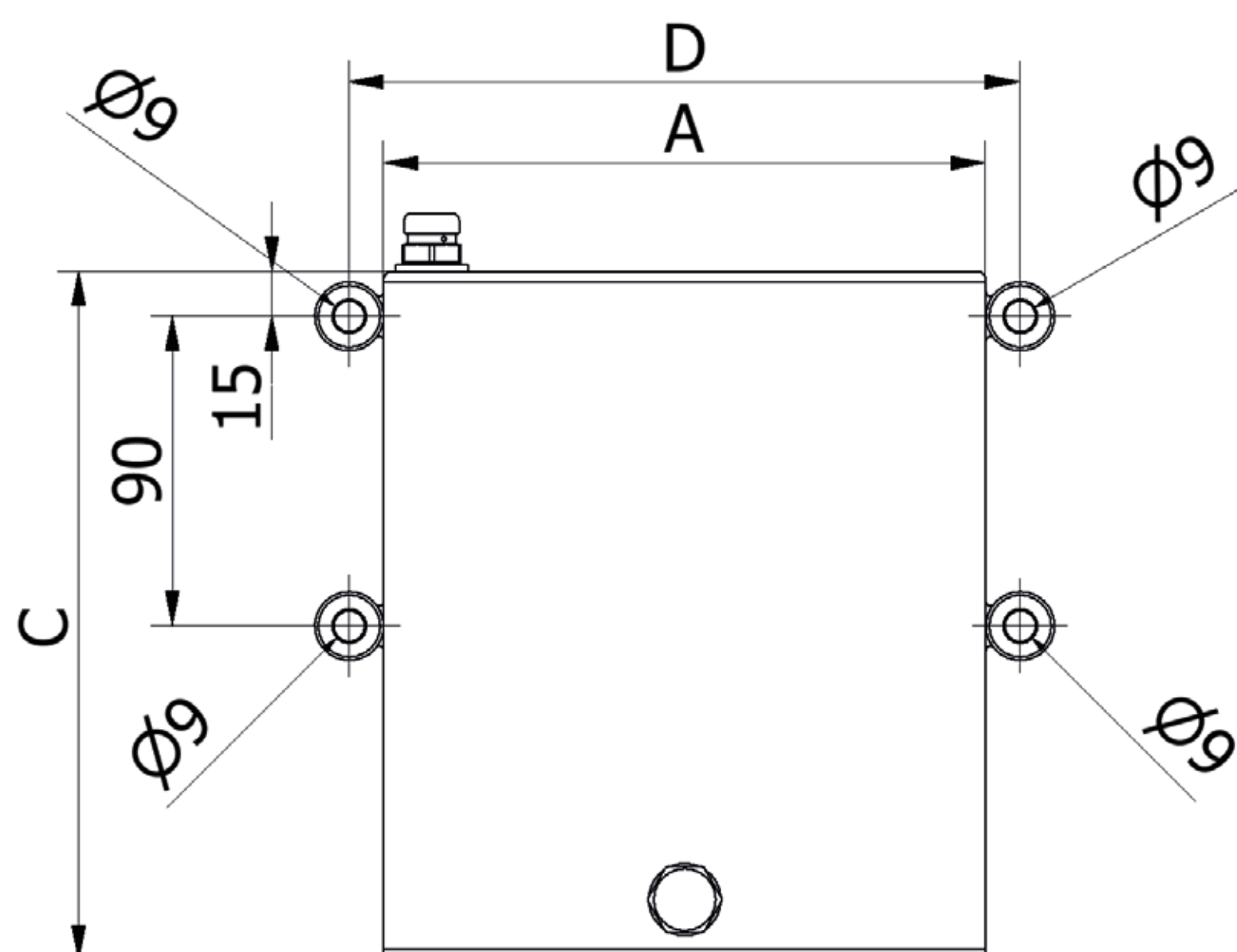
Tech sheet

DETAILS

Painted steel oil tank for hand pumps lt. 15

SPECIFICATIONS

Model S15 ac 175x175x600  
Suction pipe included  
Breather cap 1/4 G  
Release cap 1/4 G  
Standard colour black



CAPACITY liters	A mm	B mm	C mm	D mm	MASS KG	SUCTION PIPE	CODE
15	175	175	600	195	12,100	$\varnothing 10 \times 540$ mm	6500.0148