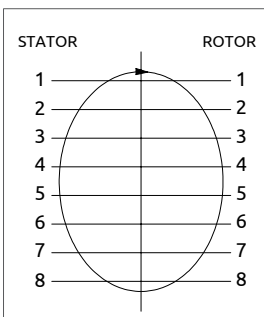
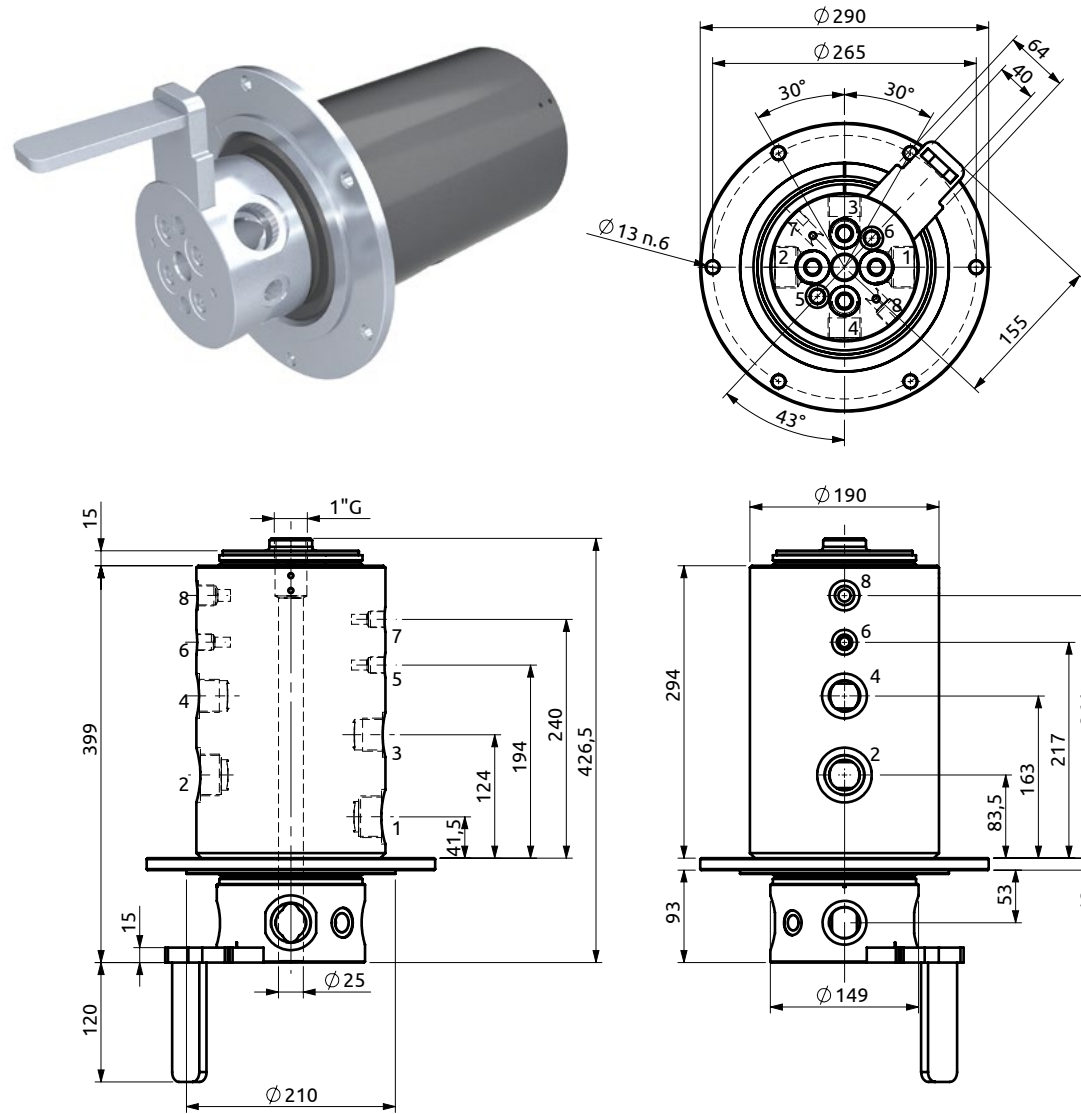




Distributore rotante 08 vie
Swivel joint 08 ways

Item code
D110080300

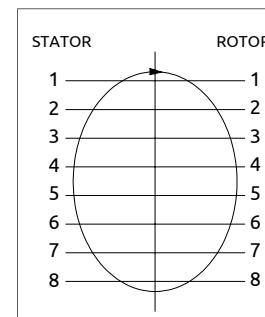
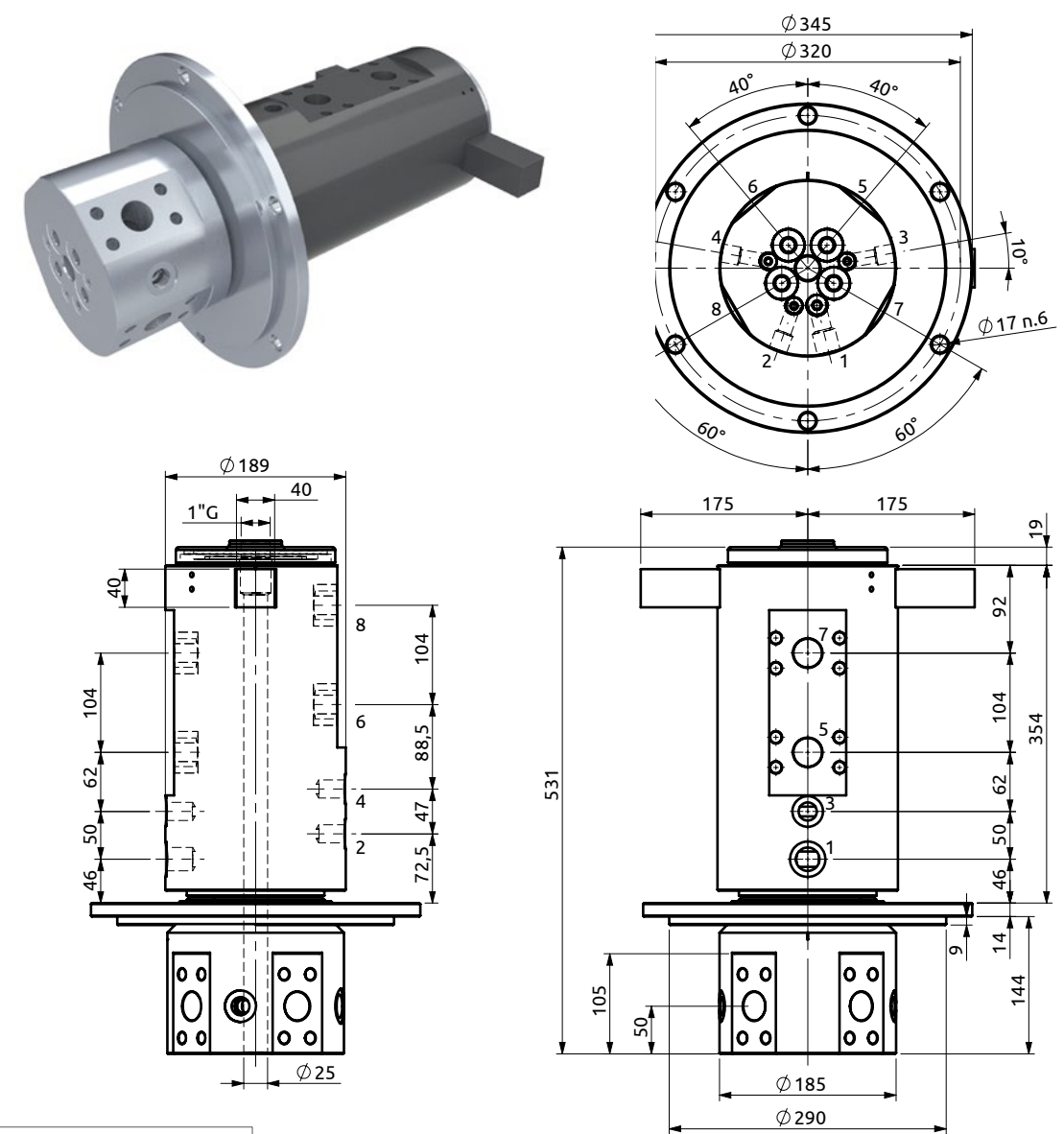


POS.	Statore Stator	Rotore Rotor	DN (mm)	Pressione max a 12RPM (bar) Max pressure at 12RPM (bar)	Fluido Fluid
1	1" 1/4 G	1" 1/4 G	30	400	Hydraulic Oil
2	1" 1/4 G	1" 1/4 G	30	400	Hydraulic Oil
3	1" G	1" G	25	400	Hydraulic Oil
4	1" G	1" G	25	400	Hydraulic Oil
5	3/8" G	3/8" G	10	350	Hydraulic Oil
6	3/8" G	3/8" G	10	350	Hydraulic Oil
7	3/8" G	3/8" G	10	350	Hydraulic Oil
8	1/2" G	1/2" G	12	350	Hydraulic Oil



Distributore rotante 08 vie
Swivel joint 08 ways

Item code
D110080400



POS.	Statore Stator	Rotore Rotor	DN (mm)	Pressione max a 12RPM (bar) Max pressure at 12RPM (bar)	Fluido Fluid
1	3/4" G	3/4" G	18	350	Hydraulic Oil
2	1/2" G	1/2" G	14	350	Hydraulic Oil
3	1/2" G	1/2" G	14	350	Hydraulic Oil
4	1/2" G	1/2" G	14	350	Hydraulic Oil
5	1" 1/4 SAE 6000	1" 1/4 SAE 6000	30	350	Hydraulic Oil
6	1" 1/4 SAE 6000	1" 1/4 SAE 6000	30	350	Hydraulic Oil
7	1" 1/4 SAE 6000	1" 1/4 SAE 6000	30	350	Hydraulic Oil
8	1" 1/4 SAE 6000	1" 1/4 SAE 6000	30	350	Hydraulic Oil