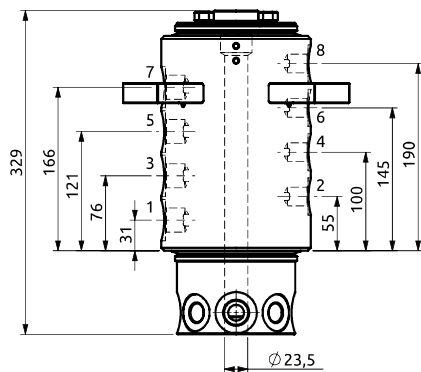
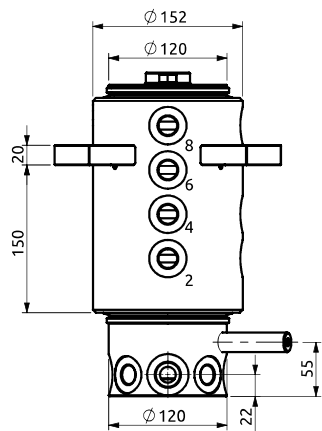
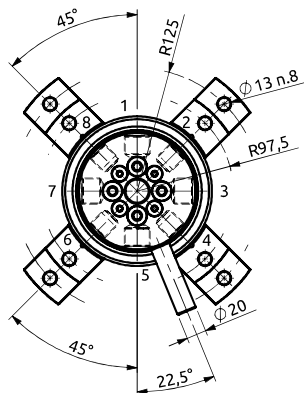


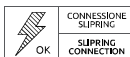
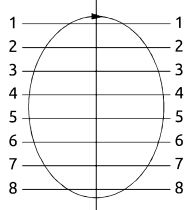


Distributore rotante 08 vie
Swivel joint 08 ways

Item code
D085080000



STATOR ROTOR

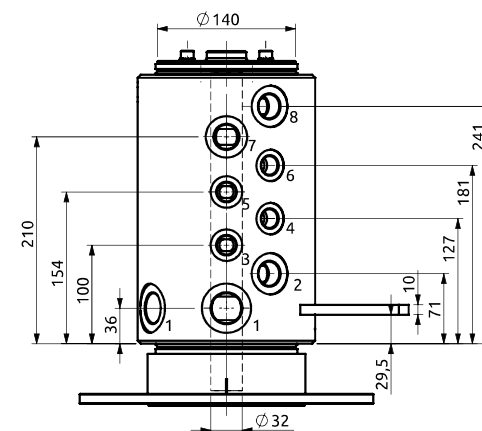
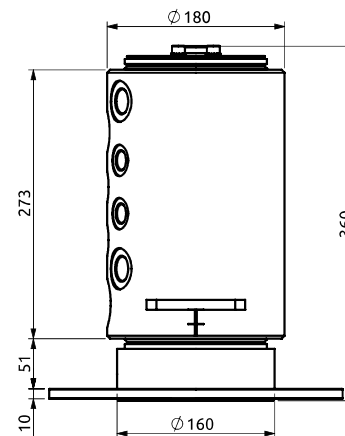
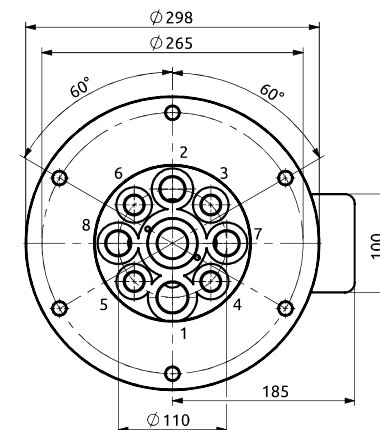
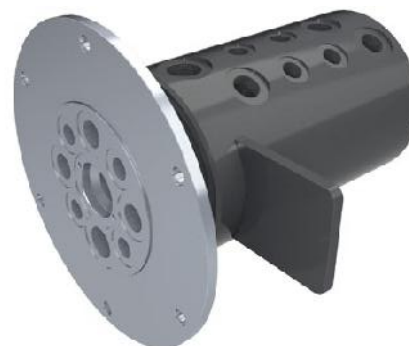


POS.	Statore Stator	Rotore Rotor	DN (mm)	Pressione max a 12RPM (bar) Max pressure at 12RPM (bar)	Fluido Fluid
1	3/4"G	3/4"G	16	300	Hydraulic Oil
2	1/2"G	3/4"G	12	300	Hydraulic Oil
3	3/4"G	3/4"G	16	300	Hydraulic Oil
4	1/2"G	3/4"G	12	300	Hydraulic Oil
5	3/4"G	1/2"G	16	300	Hydraulic Oil
6	1/2"G	1/2"G	12	300	Hydraulic Oil
7	3/4"G	1/2"G	16	300	Hydraulic Oil
8	1/2"G	1/2"G	12	300	Hydraulic Oil

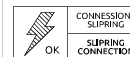
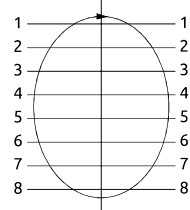


Distributore rotante 08 vie
Swivel joint 08 ways

Item code
D100080100



STATOR ROTOR



POS.	Statore Stator	Rotore Rotor	DN (mm)	Pressione max a 12RPM (bar) Max pressure at 12RPM (bar)	Fluido Fluid
1	1"G	1"G (n.3)	24	380	Hydraulic Oil
2	3/4"G	3/4"G	20	380	Hydraulic Oil
3	1/2"G	1/2"G	16	380	Hydraulic Oil
4	1/2"G	1/2"G	16	380	Hydraulic Oil
5	1/2"G	1/2"G	16	380	Hydraulic Oil
6	1/2"G	1/2"G	16	380	Hydraulic Oil
7	3/4"G	3/4"G	20	380	Hydraulic Oil
8	3/4"G	3/4"G	20	380	Hydraulic Oil