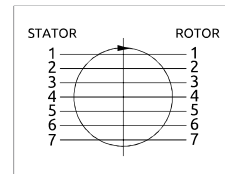
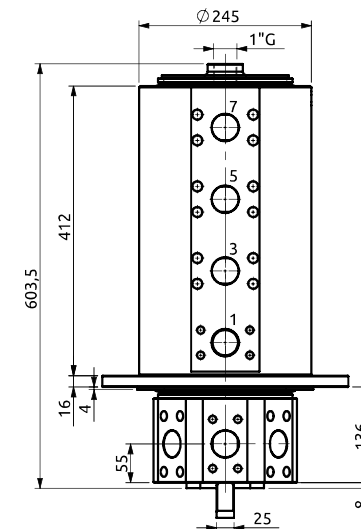
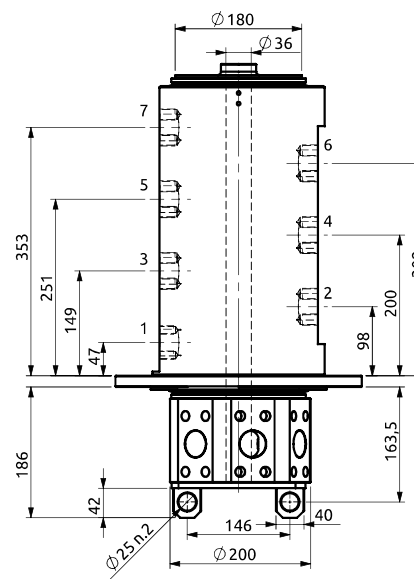
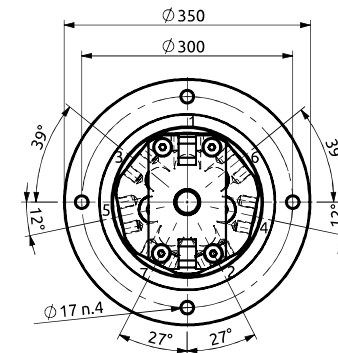
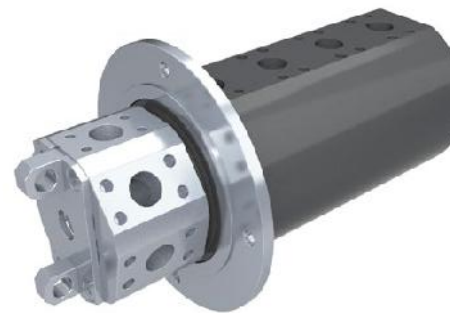


POS.	Statore Stator	Rotore Rotor	DN (mm)	Pressione max a 12RPM (bar) Max pressure at 12RPM (bar)	Fluido Fluid
1	M33x2	M33x2	24	300	Hydraulic Oil
2	M18x1.5	M18x1.5	12	300	Hydraulic Oil
3	M18x1.5	M18x1.5	12	300	Hydraulic Oil
4	1"1/2 SAE 6000	1"1/2 SAE 6000	38	300	Hydraulic Oil
5	1"1/2 SAE 6000	1"1/2 SAE 6000	38	300	Hydraulic Oil
6	1"1/2 SAE 6000	1"1/2 SAE 6000	38	300	Hydraulic Oil
7	1"1/2 SAE 6000	1"1/2 SAE 6000	38	300	Hydraulic Oil



POS.	Statore Stator	Rotore Rotor	DN (mm)	Pressione max a 12RPM (bar) Max pressure at 12RPM (bar)	Fluido Fluid
1	1" 1/2 SAE 6000	1" 1/2 SAE 6000	36	300	Hydraulic Oil
2	1" 1/2 SAE 6000	1" 1/2 SAE 6000	36	300	Hydraulic Oil
3	1" 1/2 SAE 6000	1" 1/2 SAE 6000	36	300	Hydraulic Oil
4	1" 1/2 SAE 6000	1" 1/2 SAE 6000	36	300	Hydraulic Oil
5	1" 1/2 SAE 6000	1" 1/2 SAE 6000	36	300	Hydraulic Oil
6	1" 1/2 SAE 6000	1" 1/2 SAE 6000	36	300	Hydraulic Oil
7	1" 1/2 SAE 6000	1" 1/2 SAE 6000	36	300	Hydraulic Oil