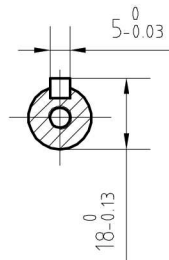
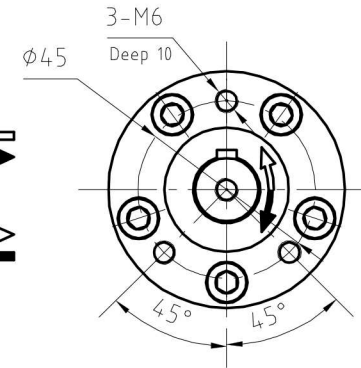
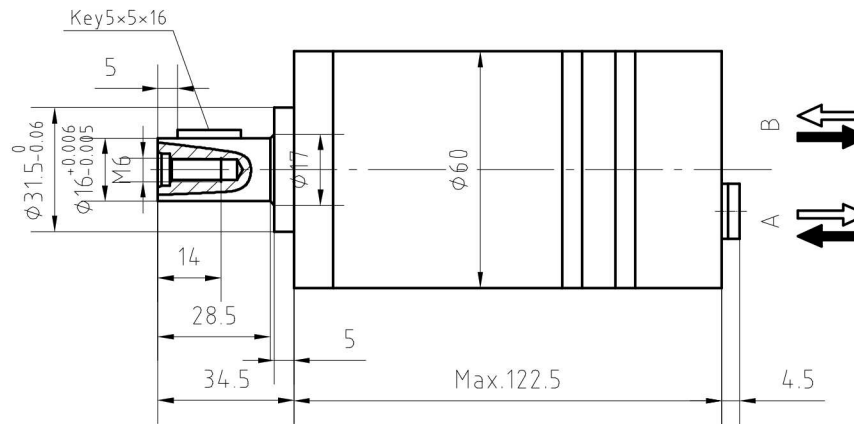
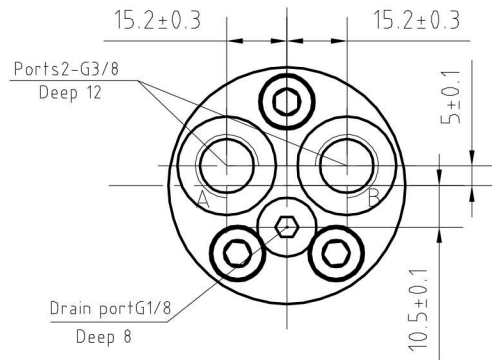
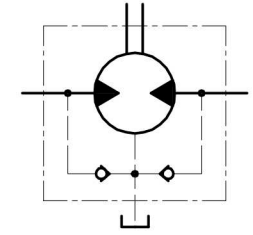


Standard Rotation      Port A Pressurized-CW  
 Viewed from Shaft End    Port B Pressurized-CCW



**Displacement(ml/r)**      50.3  
**Max.conf.Pressure drop(bar)**    70  
**Max.conf.torque(N.m)**      46  
**Max.flow(L/min)**          20  
**Max.speed(r/min)**        395  
**Max.Output.Power(Kw)**      1.8

Rev.	Description	Date	2022/05/31
		DESIGNED BY	WSH
		CHECK BY	HGJ



DESCRIPTION

BMM-50P1CY1